



mm FD60 analogue

Description

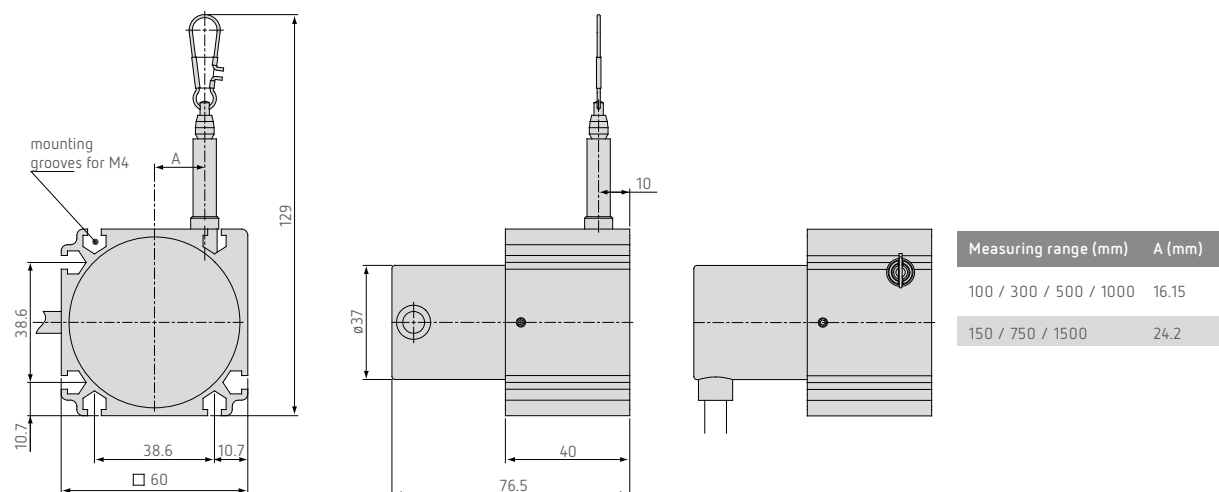
- Robust aluminium profile housing
- Customized versions for OEM
- Potentiometer, current and voltage output



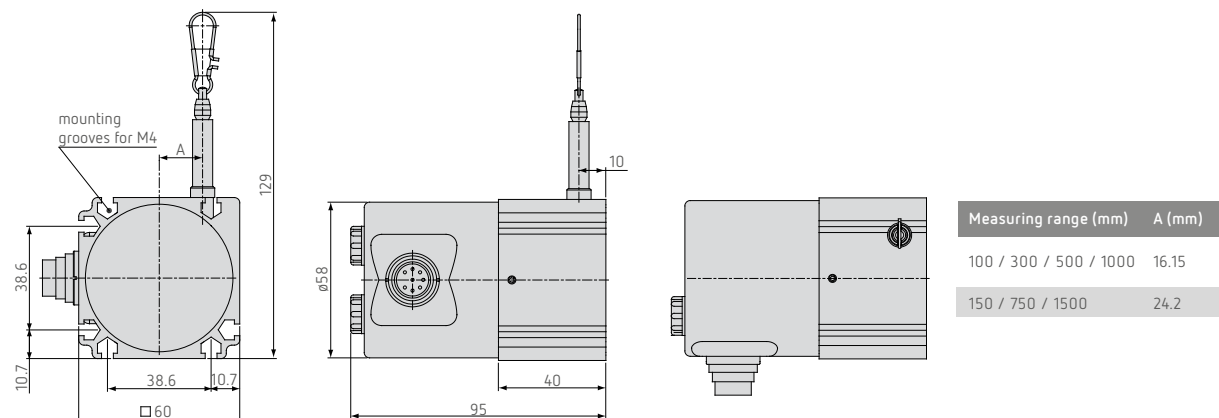
Draw wire sensors of the FD60 Series are designed for general use. Numerous options enable a suitable sensor to be selected for almost any application. Various analogue outputs and measuring ranges make many applications possible.

Outline drawing

FD60 Output P



FD60 Output U/I



Technical data

Model		FD60 - 100	FD60 - 150	FD60 - 300	FD60 - 500	FD60 - 750	FD60 - 1000	FD60 - 1500	
Output		P/U/I							
Measuring range	mm	100	150	300	500	750	1000	1500	
	±0.1%FSO ±mm	-	-	-	0.5	0.75	1	1.5	
Linearity	±0.25% FSO ±mm	-	-	0.75	-	-	-	-	
	±0.5% FSO ±mm	0.5	0.75	-	-	-	-	-	
Resolution		quasi infinite							
Sensor element		conductive plastic/wire potentiometer				hybrid potentiometer			
range		Temperature -20 ... +80°C							
Material	housing	aluminium							
	draw wire	coated polyamid stainless steel (ø0.45mm)							
Sensor mounting		mounting grooves in the housing							
Wire mounting		wire clip							
Wire acceleration		appr. 10 - 15g (dependent upon measuring range)							
Wire retraction force (min)	N	6.5	4.5	6	6	4	5	3.5	
Wire extension force (max)	N	7.5	5.5	7.5	7.5	5.5	7.5	5.5	
Protection class		IP 65 (only if connected)							
Vibration		20g, 20Hz - 2kHz							
Mechanical shock		50g, 10ms							
Electrical connection	P	integrated cable, radial, 1m long							
	U/I	flange connector, radial, 8-pin, DIN45326							
Weight		appr. 370g							

FSO = Full Scale Output

Ordering code

FD60	-	100	-	CR	-	P
				Output option: P: potentiometer (connection CR) U: voltage (with connection SR) I: current (with connection SR)		
				Connection: SR: radial plug CR: integrated cable, radial, 1m		
				Measuring range in mm		
Model FD60						