



mm FD96 analogue

Description

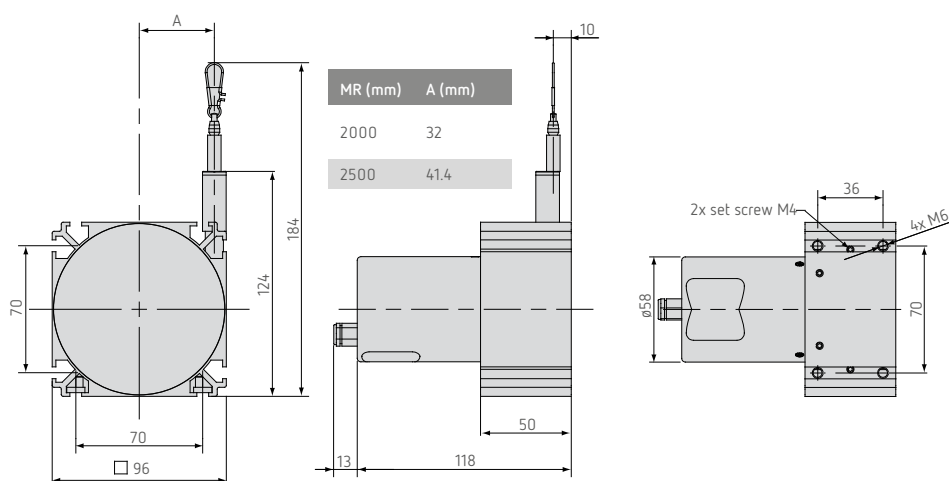
- Robust aluminium profile housing
- Customized versions for OEM
- Potentiometer, current and voltage output



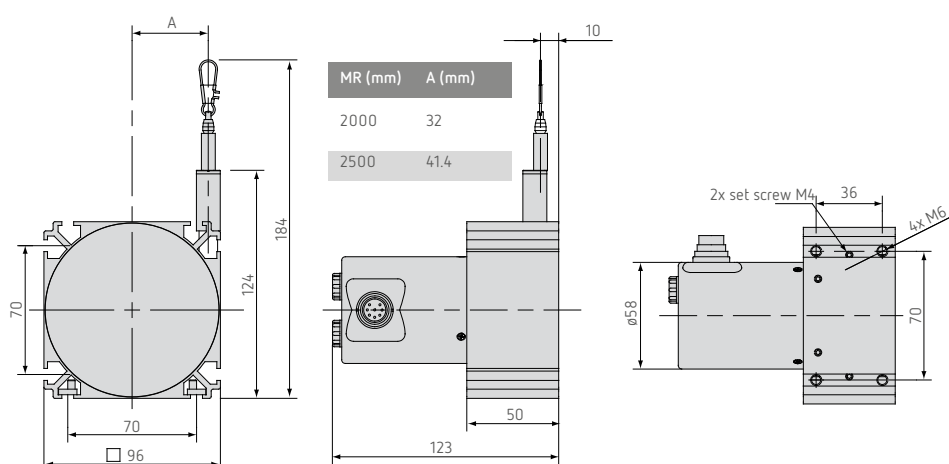
Draw wire sensors of the FD96 Series are designed for general use. Numerous options enable a suitable sensor to be selected for almost any application. Various analogue outputs and measuring ranges make many applications possible.

Outline drawing

FD96 Output P



FD96 Output U/I



Technical data

Model		FD96-2000	FD96-2500
Output		P/U/I	
Measuring range	mm	2000	2500
Linearity	±0.1% FSO ±mm	2.0	2.5
Resolution		quasi infinite	
Sensor element		hybrid potentiometer	
Temperature range		-20 ... +80°C	
Material	housing	aluminium	
	draw wire	∅ 0.8mm	
Sensor mounting		slot nuts	
Wire mounting		wire clip	
Wire retraction force (min)		7.5N	5.5N
Protection class		IP 65 (only if connected)	
Vibration		20g, 20Hz - 2kHz	
Mechanical shock		50g, 10ms	
Electrical connection	P	integrated cable, radial, 1m long	
	U/I	flange connector, axial, 8-pin DIN45326	
Weight		appr. 1.1kg	

FSO = Full Scale Output

Ordering code

FD96 - 2000 - CA - P

Output option:
 P: potentiometer (with connection CA)
 U: voltage (with connection SR)
 I: current (with connection SR)

Connection:
 SR: radial plug
 CR: integrated cable, radial, 1m

Measuring range in mm

Model FD96