



mm FD115 analogue

Description

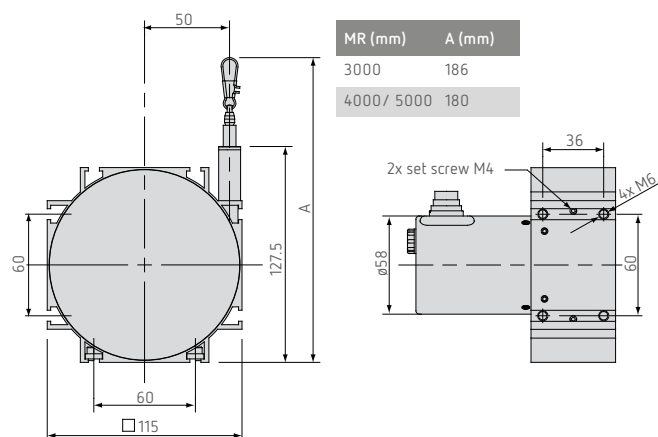
- Robust aluminium profile housing
- Customized versions for OEM
- Potentiometer, current and voltage output



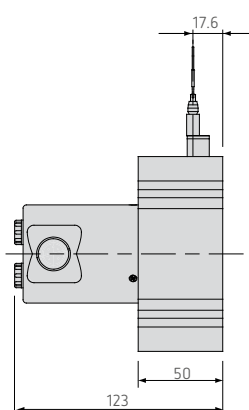
Draw wire sensors of the FD115 Series are designed for general use. Numerous options enable a suitable sensor to be selected for almost any application. The analogue series is extremely compact and provides many different measuring ranges. The series has an attractive price/performance ratio based on state of the art technology.

Outline drawing

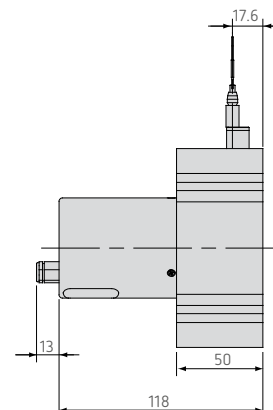
FD115 (Measuring range 3000/4000/5000mm)



Output UI



Output P



FD115 (Measuring ranges 7500/10000/15000mm)

