



**mm** FDMK46 analog

**Description**

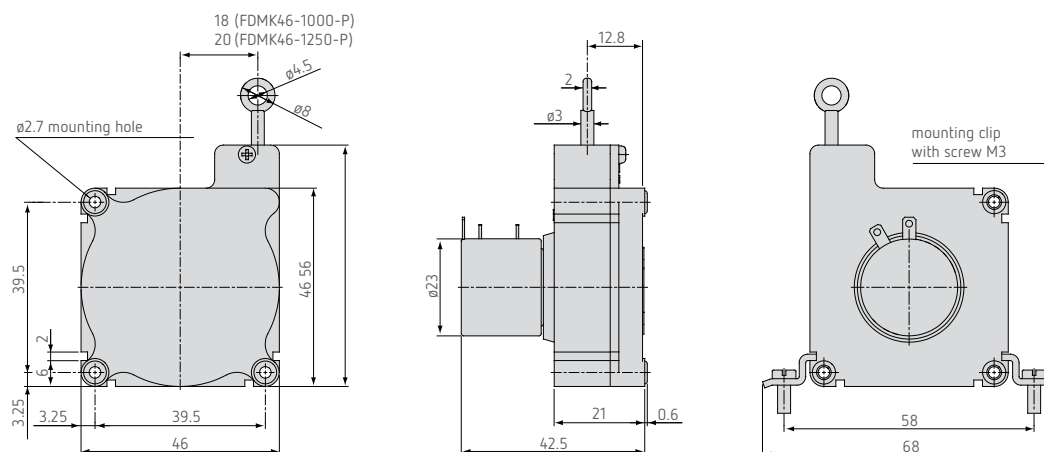
- Robust plastic housing
- Customized versions for OEM
- Wire/hybrid potentiometer



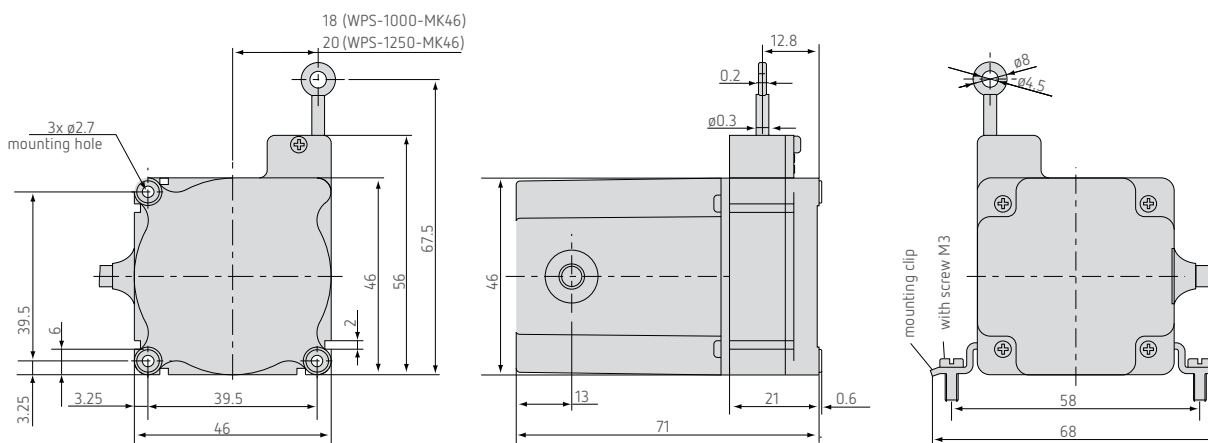
The miniature draw-wire sensors of the FDMK series are specially designed for use in high-volume production. Due to the favorable price and the compact size of the sensor, new potential designs and cost optimization are the benefits to the user.

**Outline drawing**

**FDMK46 Output P10/P25**



**FDMK46 Output CR-P25**



**Technical data**

| Model                       | FDMK46-1000                       |   | FDMK46-1250    |        |
|-----------------------------|-----------------------------------|---|----------------|--------|
| Output                      | P                                 |   |                |        |
| Measuring range             | 1000mm                            |   | 1250mm         |        |
| Linearity                   | wire pot. P25                     | ±0.25% FSO                                  | 2.5mm          | 3.12mm |
|                             | hybrid pot. P10                   | ±0.1% FSO                                   | 1mm            | 1.2mm  |
| Resolution                  | wire pot. P25                     |   | 0.3mm          | 0.4mm  |
|                             | hybrid pot. P10                   |   | quasi infinite |        |
| Sensor element              | wire/hybrid potentiometer         |   |                |        |
| Temperature range           | -20 ... +80°C                     |   |                |        |
| Material                    | housing                           | plastic                                     |                |        |
|                             | draw wire                         | coated polyamid stainless steel (ø 0.36 mm) |                |        |
| Wire mounting               | eyelet                            |   |                |        |
| Sensor mounting             | mounting holes / mounting grooves |   |                |        |
| Wire acceleration           | appr. 5g                          |   |                |        |
| Wire retraction force (min) | appr. 1N                          |   |                |        |
| Wire extension force (max)  | 1.6N                              |   | 1.5N           |        |
| Protection class            | IP 20                             |   |                |        |
| Electrical connection       | P10, P25                          | soldering tag                               |                |        |
|                             | CR-P25                            | integrated cable, radial, 1m                |                |        |
| Weight                      | appr. 80g                         |   |                |        |

FSO = Full Scale Output

**Ordering code**

FDMK46 - 1000 - P25

Output option:  
 potentiometer P25 (linearity ±0.25% FSO)  
 potentiometer P10 (linearity ±0.1% FSO)  
 potentiometer CR-P25, integrated cable, radial, 1m

Measuring range in mm

FDMK46

The information provided herein is to the best of our knowledge true and accurate, it is provided for guidance only. All specifications are subject to change without prior notification.

**Althen – Your expert partner in Sensors & Controls | [althensensors.com](http://althensensors.com)**

Althen stands for pioneering measurement and custom sensor solutions. In addition we offer services such as calibration, design & engineering, training and renting of measurement equipment.

Germany/Austria/Switzerland  
info@althen.de

Benelux  
sales@althen.nl

France  
info@althensensors.fr

Sweden  
info@althensensors.se

USA/Canada  
info@althensensors.com

Other countries  
info@althensensors.com