



**mm** FDMK77 analog

**Description**

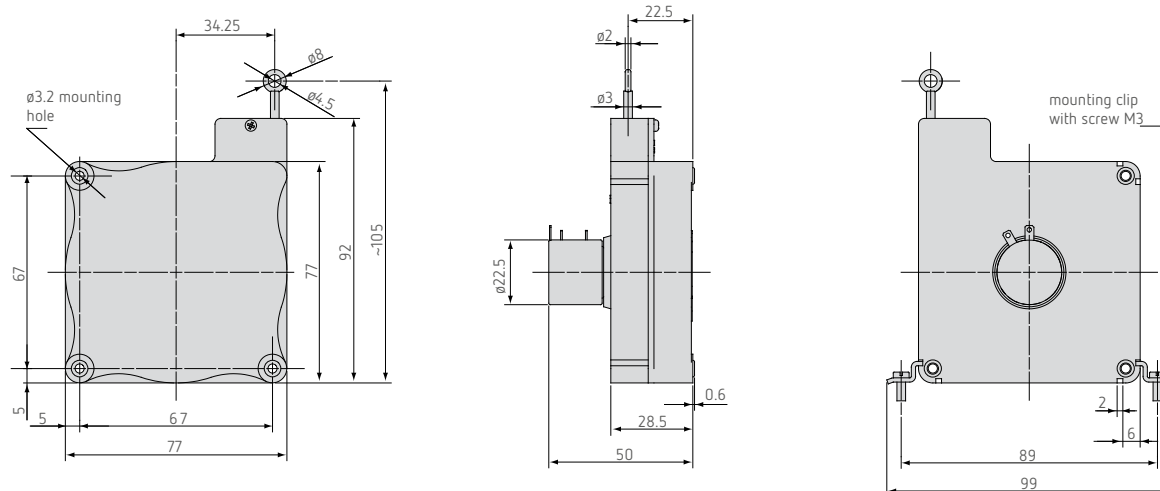
- Robust plastic housing
- Customized versions for OEM
- Wire potentiometer



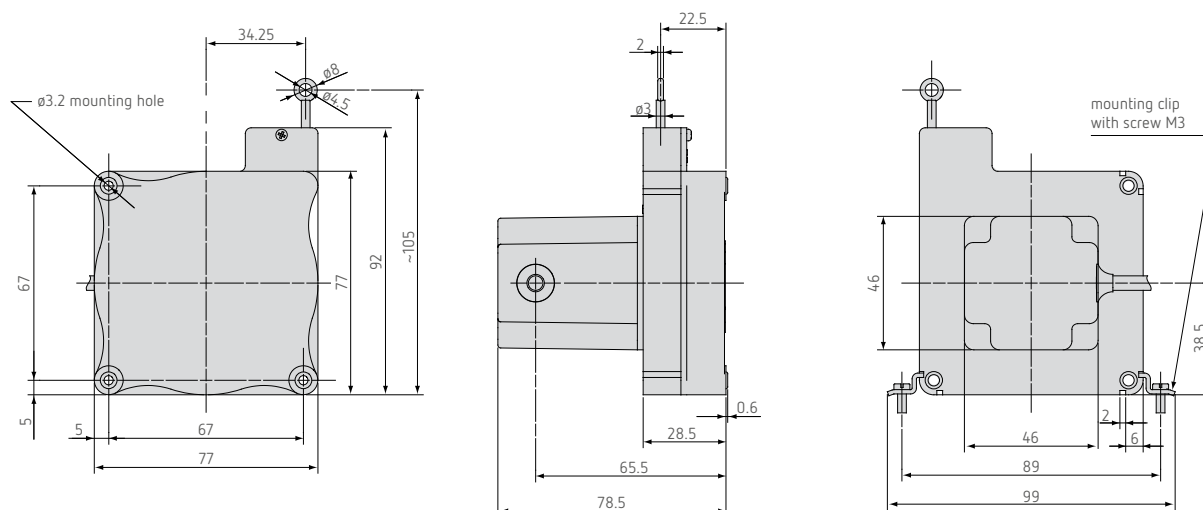
The miniature draw-wire sensors of the FDMK series are specially designed for use in high-volume production. Due to the favorable price and the compact size of the sensor, new potential designs and cost optimization are the benefits to the user.

**Outline drawing**

FDMK77 Output P25



FDMK77 Output CR-P25



**Technical data**

<b>Model</b>			FDMK77-2100
Output			P25
Measuring range			2100mm
Linearity	wire pot.	±0.25% FSO	5.25mm
Resolution	wire pot.		0.55mm
Sensor element			wire potentiometer
Temperature range			-20 to 80°C
Material	housing		plastic
	draw wire		coated polyamid stainless steel
Wire mounting			eyelet
Sensor mounting			mounting holes / mounting grooves
Cable diameter			0.45mm
Wire retraction force (min)			3.5N
Wire extension force (max)			5N
Wire acceleration			5g
Protection class			IP 20
Electrical connection	P25		soldering tag
	CR-P25		integrated cable radial, 1m
Weight	P25		ca. 0.2kg
	CR-P25		ca. 0.25kg

FSO = Full Scale Output

**Technical data**

FDMK77 -	2100 -	P25
		Output option: potentiometer P25 (linearity ±0.25% FSO) potentiometer CR-P25, integrated cable, radial, 1m
		Measuring range in mm
FDMK77		

The information provided herein is to the best of our knowledge true and accurate, it is provided for guidance only. All specifications are subject to change without prior notification.

**Althen – Your expert partner in Sensors & Controls | [althensensors.com](http://althensensors.com)**

Althen stands for pioneering measurement and custom sensor solutions. In addition we offer services such as calibration, design & engineering, training and renting of measurement equipment.

Germany/Austria/Switzerland  
info@althen.de

Benelux  
sales@althen.nl

France  
info@althensensors.fr

Sweden  
info@althensensors.se

USA/Canada  
info@althensensors.com

Other countries  
info@althensensors.com