

**mm** FDMK120 analogue

**Description**

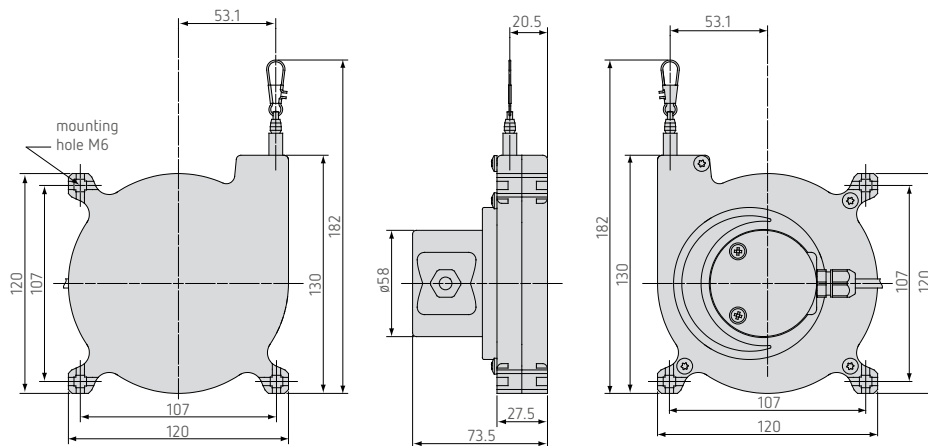
- Robust plastic housing
- Customized versions for OEM
- Potentiometer, current and voltage output

The miniature draw-wire sensors of the FDMK series are specially designed for use in high-volume production. Due to the favorable price and the compact size of the sensor, new potential designs and cost optimization are the benefits to the user.

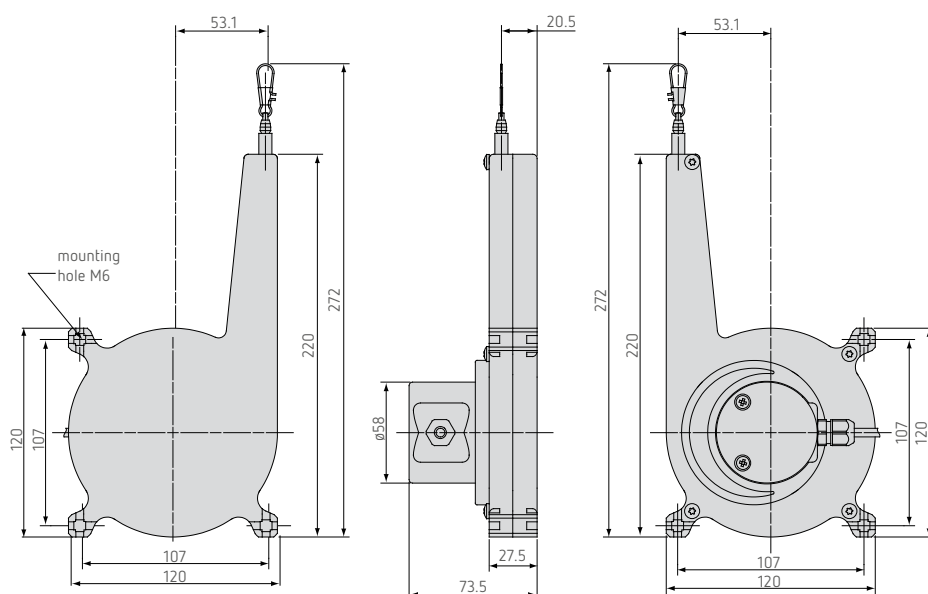


**Outline drawing**

FDMK120 (Measuring range 3000, 5000mm)



FDMK120 (Measuring range 7500mm)



**Technical data**

Model	FDMK120-3000	FDMK120-5000	FDMK120-7500	
Output		P/U/I		
Measuring range	3000mm	5000mm	7500mm	
Linearity	±0.15% FSO	±4.5mm	±7.5mm	±11.25mm
Resolution		quasi infinite		
Temperature range		-20 to 80°C		
Material	housing	plastic PA6		
	draw wire	0.45mm coated		
Wire mounting		wire clip		
Wire acceleration	2.5g		1.5g	
Wire retraction force (min)	5.5N	5N	7N	
Wire retraction force (max)	8N		13N	
Electrical connection		integrated cable, radial, 1m length		
Protection class		IP 65		
Weight	0.75kg		0.9kg	

FSO = Full Scale Output

**Ordering information**

