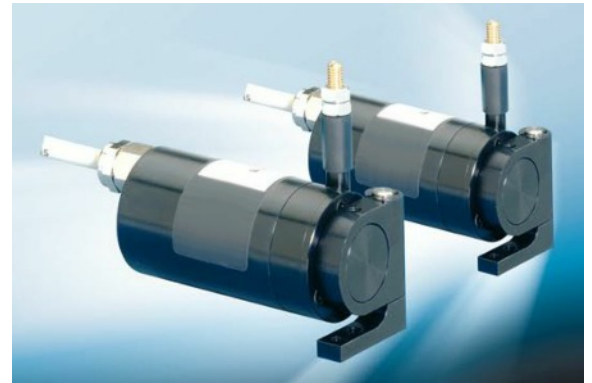




mm FDMM

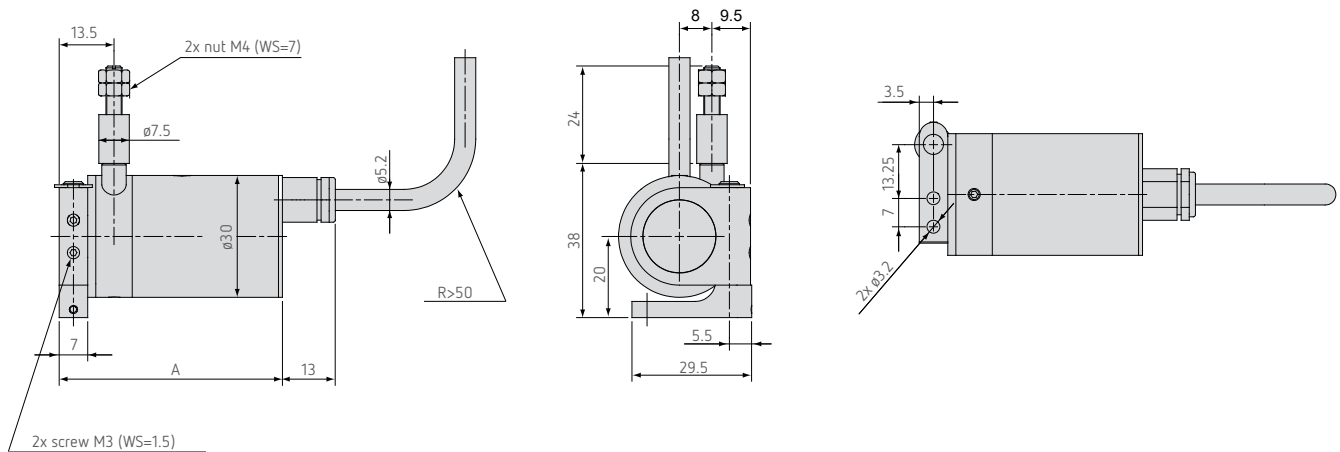
Description

- Extreme compact miniature sensor
- Flexible mounting via swivel flange
- High speed measurement, wire acceleration up to 100g



The draw wire sensors of the FDMM Series are the preferred choice in applications which are characterised by fast movements, short displacements and limited space. This is achieved using miniaturized components combined with high resolution hybrid potentiometers.

Model FDMM



Measuring range (mm)	A (mm)
50	55
150 / 250	64
50-HG	61
150 / 250-HG	70

Technical data

Model	FDPM-50	FDPM-150	FDPM-250
Output	P		
Measuring range	50mm	150mm	250mm
Linearity	±0.2% FSO	-	±0.5mm
	±0.25% FSO	±0.125mm	-
Resolution	quasi infinite		
Sensor element	conductive plastic potentiometer		hybrid potentiometer
Temperature range	-20 ... +80°C		
Material	housing	aluminium	
	draw wire	stainless steel (ø 0.45mm)	
Sensor mounting	swivel flange in two axes 180° / 360°		
Wire mounting	thread M4		
Wire acceleration	appr. 25g (Option HG: 100g)		
Wire retraction force (min)	1.5N (Option HG: 10N)		
Wire extension force (max)	3.5N (Option HG: 17N)		
Protection class	IP 65		
Vibration	20g, 20Hz - 2kHz		
Mechanical shock	50g, 20ms		
Electrical connection	integrated cable, axial, 3-leads, 1m long		
Weight	appr. 150g		

FSO = Full Scale Output

Ordering code

FDMM-	50	-	C	-	P	-	HG
							Option HG: Wire acceleration up to 100g
							Output option: P: potentiometer
							Connection: C: integrated cable, axial, 1m
							Measuring range in mm
Model FDMM							