



mm FD60 analogue

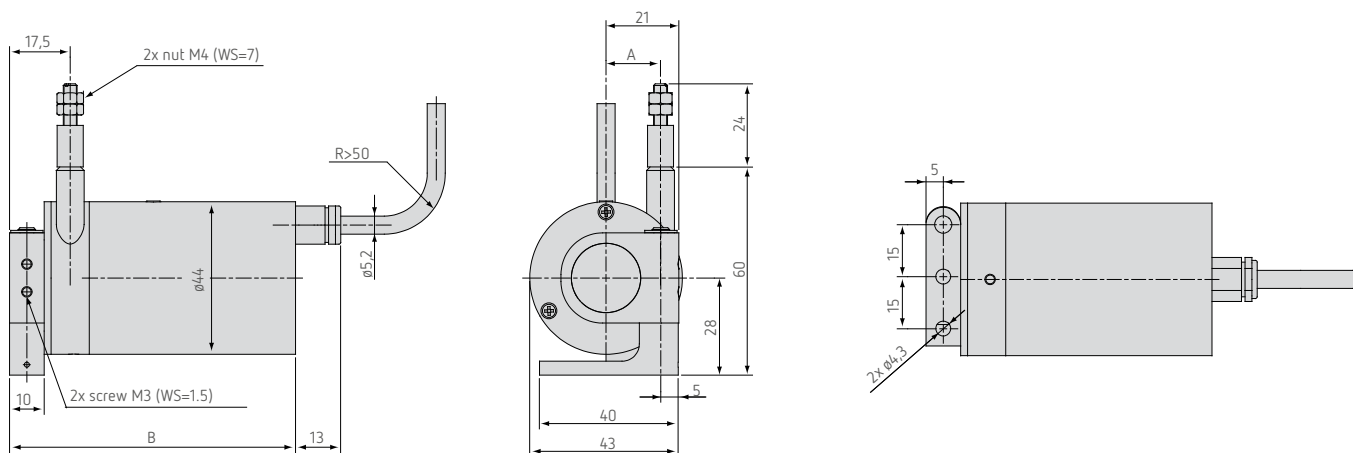
Description

- Miniature design
- Optional IP67 (FDPW)
- For fast measurement and harsh environments



The FDP/FDPW draw wire sensors are designed both for industrial use as well as for mobile applications. This draw-wire displacement sensors are the preferred choice where mid-size displacements must be acquired under limited space conditions. The FDPW (waterproof) Series is particularly suitable for applications with harsh ambient conditions.

Model FDP / FDPW



Measuring range (mm)	A (mm)	B (mm)
FDP-100/300/500/1000	15.7	82.5
FDPW100/300/500/1000	15.7	86.5

Technical data

Model	FDP(W)-100	FDP(W)-300	FDP(W)-500	FDP(W)-1000
Output	P			
Measuring range	100mm	300mm	500mm	1000mm
	±0.1% FSO	-	0.5mm	1mm
Linearity	±0.25% FSO	-	0.75mm	-
	±0.5% FSO	0.5mm	-	- Resolution
	0.15mm/0.2mm		quasi infinite	
Sensor element	wire potentiometer		hybrid potentiometer	
Temperature range	-20 ... +80°C			
Material	housing	aluminium		
	draw wire	stainless steel (∅ 0.45mm)		
Wire mounting	thread M4			
Sensor mounting	swivel flange in two axes 180° / 360°			
Wire acceleration	appr. 30g			
Wire retraction force (min)	7N	7N	6.5N	5 N
Wire extension force (max)	8.5N	8.5N	8.5N	8N
Protection class	series MP	IP 65		
	series MPW	IP 67		
Vibration	20g, 20Hz - 2kHz			
Mechanical shock	50g, 10ms			
Electrical connection	integrated cable, axial, 3-leads, 1m long			
Weight	appr. 270g			

FSO = Full Scale Output

Ordering code

FDP - 100 - C - P

Output option:
P: potentiometer

Connection:
C: integrated cable, axial, 1m

Measuring range in mm

Model FDP / FDPW (IP67)