



## PicoM

### Description

The PicoM is a compact and portable signal conditioner to be used with the GaAs (SCBG) OTG-M series fiber optic temperature sensor.

At the heart of the PicoM is Semiconductor Band Gap (SCBG) technology which provides a mean for making accurate measurements of the temperature- dependent bandgap position of GaAs crystal.

The PicoM is equipped with a large visible LCD display and can be battery operated. It comes with a standard  $\pm 5$  V output and a RS-232 communication port for real-time data acquisition. The PicoM can be controlled directly using the front-panel keypad or remotely using the standard RS-232 interface.

A rugged casing with a removable rubber boot provides good mechanical protection against intensive handling in tough environments.

With a 50 Hz sampling rate and a  $\pm 0.3^\circ\text{C}$  accuracy (total accuracy including both signal conditioner and sensor errors), the PicoM delivers the performances needed for a wide range of medical applications.

**Use with the GaAs (SCBG) OTG-M serie temperature sensors**

### Key features

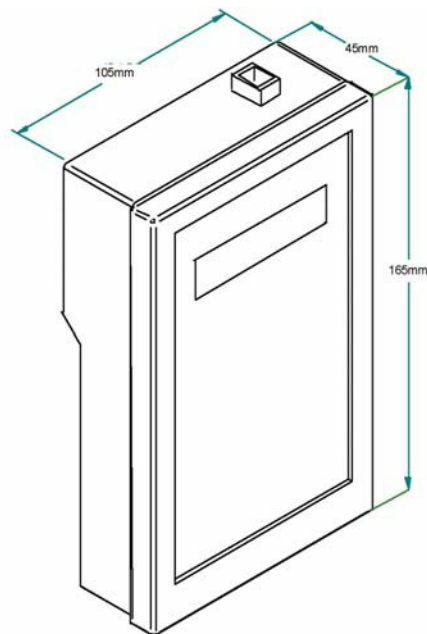
- Compact and rugged design with rubber boot casing protection
- Versatile and easy to use with large LCD display
- High linearity and precision
- 50 Hz sampling rate
- $\pm 5$  V and RS-232 output interfaces

### Applications

- MRI, RF, EMI, ultrasound and electro surgery environments
- Temperature monitoring for preclinical and research applications
- High voltage environments



## ■ Dimensions in mm



## ■ Specifications

Number of channels	One
Compatibility	OTG-M series fiber optic sensors
Resolution	0.1 °C
Accuracy	± 0.3°C (Range from 20 °C to 45 °C including both signal conditioner and sensor errors) ± 0.8°C (Range from - 20°C to 250°C including both signal conditioner and sensor errors)
Sampling rate	50 Hz standard
Output interface	±5 V and RS-232 standard
Input power	9 to 24 VDC (AC/DC wall-transformer adapter included)
Consumption	1.8 W typical
Battery	9V
Enclosure	Plastic casing with a removable rubber boot protection
Dimensions (without rubber boot protection)	45 mm (H) x 105 mm (W) x 165 mm (L)
Storage temperature	-40 °C to 70 °C
Operating temperature	10 °C to 45 °C
Humidity	95 % non condensing
Light source life span	150 000 hours ( > 17 years) MTBF

All specifications are subject to change without prior notifications