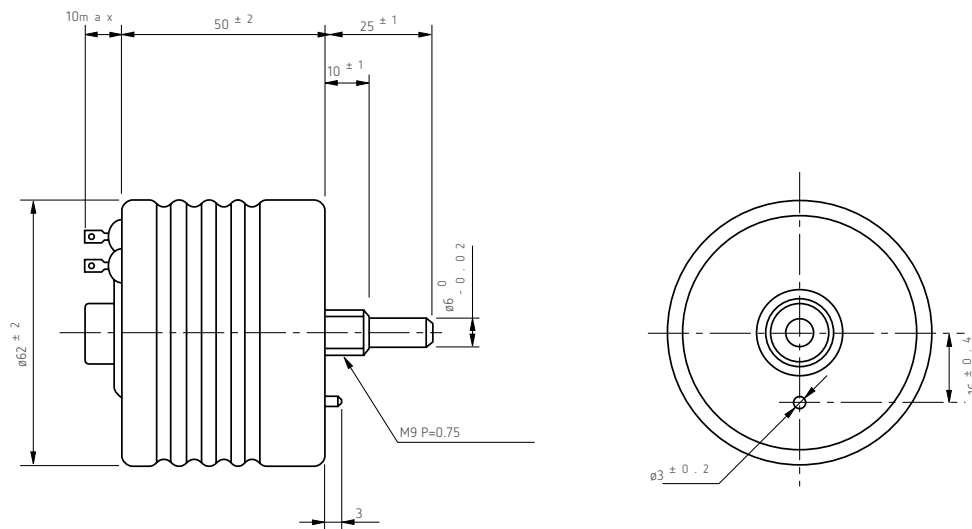




α OF50

Standard dimensions



Note: 1 pc. each inner teeth washer and 2 pcs. hex nut are attached

General Specifications

Standard Resistance Range:	100Ω to 20kΩ	Electrical Travel:	280° ±5°
Max. Practical Resistance Value:	50kΩ	Mechanical Travel:	300° ±5°
Total Resistance Tolerance:	Standard Class ±10% (K) Precision Class ±5% (J)	Insulation Resistance:	Over 100MΩ at 1,000 V.D.C.
Independent Linearity Tolerance:	Standard Class ±1.0% Precision Class ±0.5%	Dielectric Strength:	1 minute at 1,000 V.A.C.
Power Rating:	0.5W	Starting Torque:	Within 30mN·m (300gf·cm)
Noise:	Within 100Ω E.N.R.	Stopper Strength:	Approx. 0.9N·m (9kgf·cm)
		Resist. Temperature Coefficient of Wire:	±20p.p.m./°C
		Mass:	Approx. 300g

Standard Resistance Values | No. Of Wire Turns | Resistance Wire Used

Resist. Value (Ω)	100	200	500	1k	2k	5k	10k	20k	※50k
No. of wire turns	2 6 0	3 2 0	3 7 0	4 2 0	5 5 0	6 5 0	9 0 0	1, 0 0 0	1, 2 0 0
Resist. wire used	Cu-Ni System					Ni-Cr System			

Note: Mark ※ shows value at special higher practical resistance

Standard Specifications Available

Extra taps (available up to 1 tap), multi-ganged (available up to 2 gangs), special electrical travel, shaft dia. (∅ 6.35mm) • bushing with inch dimensions, special machining on the shaft, without stopper (electrical travel remains 280° ±5°, shaft with front and rear extension (rear shaft with 6mm dia. and 25mm length).