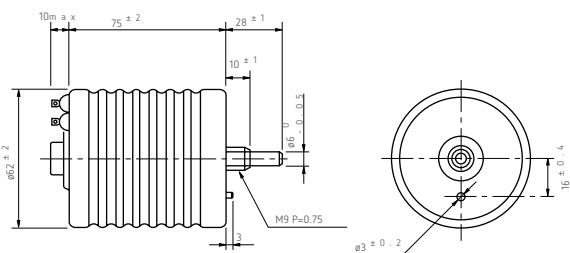


α OF46HD-10

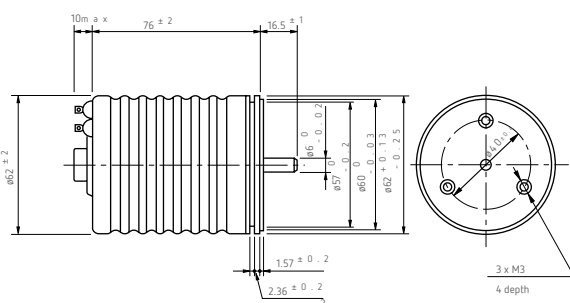
Standard dimensions

■ Bushingmount



Note: 1 pc. inner teeth washer and 2 pcs. hex nuts are attached

■ Servomount



Model OF46HD-10

■ Standard Model Nos.

Bushingmount type:
OF46HD-10 (10-turn)
Servomount type:
OF46HDS-10 (10-turn)

■ General Specifications

Standard Resistance Range:	100Ω to 100kΩ	Noise:	Within 100Ω E.N.R.
Max. Practical Resistance Value:	200kΩ	Electrical Travel:	3,600° ±5°
Total Resistance Tolerance:	Standard Class ±3% (H) (±5% (J) in case of within 1kΩ) Precision Class ±1% (K)	Mechanical Travel:	3,600° ^{+10°} _{0°}
Independent Linearity Tolerance:	Standard Class ±0.3% Precision Class ±0.1% (±0.15% in case of on and within 5kΩ)	Insulation Resistance:	Over 100MΩ at 1,000 V.D.C.
Power Rating:	5.0W	Starting Torque:	1 minute at 1,000 V.A.C.
		Stopper Strength: Max.	Within 30mN·m (300gf·cm)
		Working Voltage:	Approx. 0.9N·m (9kgf·cm)
		Resist. Temperature Coefficient of Wire:	900V
		Mass:	±20p.p.m./°C Approx. 290g

Standard Resistance Values | No. Of Wire Turns | Resistance Wire Used

Resist. Value (Ω)	100	200	500	1k	2k	5k	10k	20k	50k	100k	※200k
No. of wire turns	2,500	3,180	4,350	5,400	6,850	6,660	8,550	10,850	14,900	18,850	24,390
Resist. wire used	Cu-Ni System					Ni-Cr System					

Note: Mark ※ shows value at special higher practical resistance

Standard Specifications Available

Multi ganged (available up to 2 gangs. Please note that mounting method is changed from bushing mount to screw-mounting), with limit-switches, 3-turn and 5-turn type (these housing lengths are the same as that of 10-turn type: 75±2 mm), shaft dia. (ø 3.175mm) • bushing with inch dimensions, special machining on the shaft, shaft with front and rear extension (rear shaft with 6mm dia. and 28mm length).

The information provided herein is to the best of our knowledge true and accurate, it is provided for guidance only. All specifications are subject to change without prior notification.

Althen – Your expert partner in Sensors & Controls | althensensors.com

Althen stands for pioneering measurement and custom sensor solutions. In addition we offer services such as calibration, design & engineering, training and renting of measurement equipment.

Germany/Austria/Switzerland
info@althen.de

Benelux
sales@althen.nl

France
info@althensensors.fr

Sweden
info@althensensors.se

USA/Canada
info@althensensors.com

Other countries
info@althensensors.com