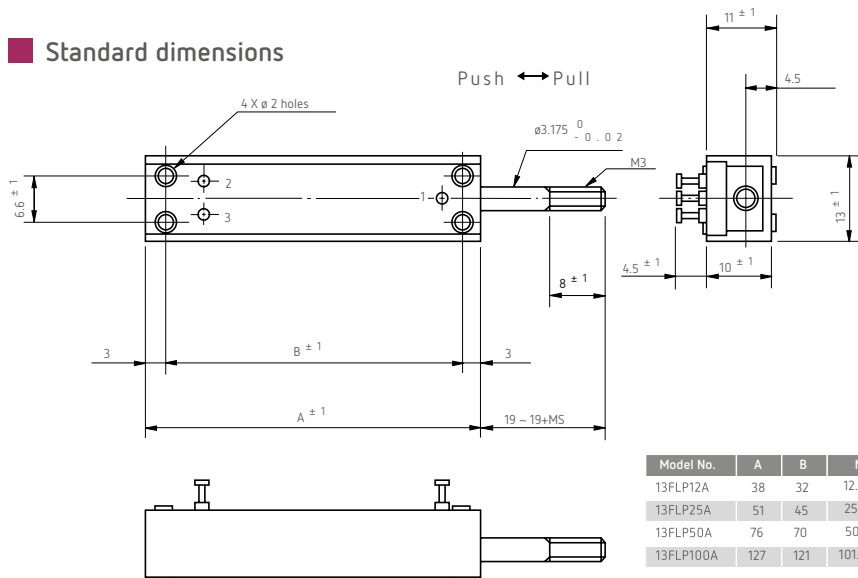




**mm 13FLP**

**Standard dimensions**



**Standard Model Nos.**

- 13FLP12A      stroke    12mm
- 13FLP25A    stroke    25mm
- 13FLP50A    stroke    50mm
- 13FLP100A   stroke    100mm

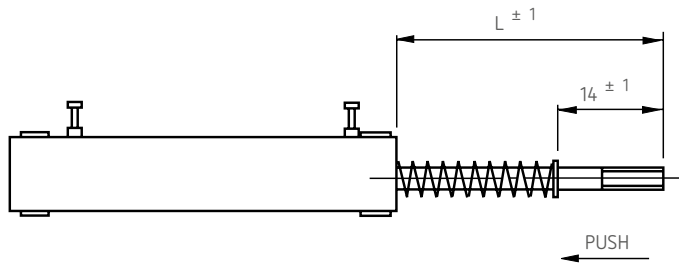
**General Specifications**

Model No.	13FLP12A	13FLP25A	13FLP50A	13FLP100A
Standard Resistance Values	500,1k,2k,5k,10k (Ω)	500,1k,2k,5k,10k (Ω)	1k,2k,5k,10k,20k (Ω)	1k,2k,5k,10k,20k (Ω)
Total Resistance Tolerance	±20% (K)			
Independent Linearity Tolerance	Standard Class	±2.0%	±1.5%	±1.0%
	Precision Class	±1.0%	±0.7%	±0.5%
Resolution	Essentially Infinite			
Output Smoothness	Within 0.1% against input voltage			
Contact Resistance Variation	Within 2% C.R.V.			
Power Rating	0.2W	0.4W	0.7W	1.2W
Electrical Stroke	12.7±0.5mm	25.4±0.5mm	50.8±0.5mm	101.6±0.5mm
Mechanical Stroke (MS)	12.7 <sup>+3</sup> <sub>0</sub> mm	25.4 <sup>+3</sup> <sub>0</sub> mm	50.8 <sup>+3</sup> <sub>0</sub> mm	101.6 <sup>+3</sup> <sub>0</sub> mm
Insulation Resistance	Over 1,000M Ω at 500V.D.C.			
Dielectric Strength	1 minute at 500 V.A.C.			
Friction	Within 0.5N (50gf)			Within 1.0N (100gf)
Stopper Strength	Approx. 20N (2kgf)			
Resistance Temperature Coefficient	±400p.p.m./°C			
Mass	Approx. 10g	Approx. 15g	Approx. 25g	Approx. 35g

■ **Special Specifications Available**

Spring return device mounted on the shaft (friction is referred as within table), special machining on the shaft, wirewound resistive element type (13LP series).

In case of 13FLP series with spring return device, please note the following:  
The spring return device is mounted on the outside shaft, of which dimensions are as the table.



Model No.	L	Friction
S13FLP12A	30 ~ 30+MS	3.5N (350gf)
S13FLP25A	35 ~ 35+MS	5N (350gf)
S13FLP50A	40 ~ 40+MS	5N (350gf)
S13FLP100A	50 ~ 50+MS	5N (350gf)

Note: MS means Mechanical Stroke