



N CO Cylindrical Loadcell



Description

- Special steel
- Combined error = $\pm 0.02\%$
- Protection class IP68



Capacity from 15000 kg to 50000 kg

CAPACITY	kg	ACCURACY CLASS C3				NET WEIGHT OF LOAD CELL (kg)	CODE
15000		•	•	•		3.3	COK15000
25000		•	•	•		3.5	COK25000
50000		•	•	•		3.7	COK50000
25000		•	•	•		4	COK25000AR
Anti-rat Cable			 ON REQUEST				

Certifications

OIML R60 C3

CERTIFICATIONS ON REQUEST

ATEX II 1GD (zone 0-1-2-20-21-22)

IECEx (zone 0-1-2-20-21-22)

Complies with the Eurasian Custom Union regulations (Russia, Belarus, Kazakhstan)

Complementary accessories

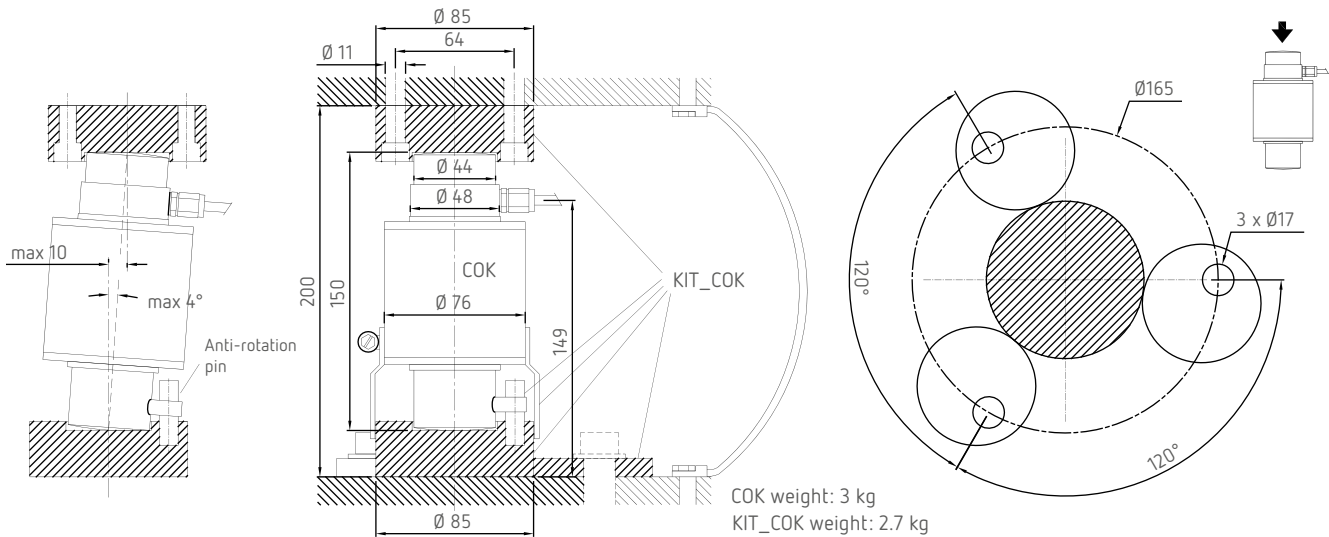


DESCRIPTION	CODE
-------------	------

Special steel mounting kit composed by protective rubber seal, 2 bases (upper and lower) and 3 self-centering cylindrical plates.

KIT_COK

■ Dimensions (mm)



■ Technical features

Material	Special steel		
OIML R60 Accuracy class · Verification intervals	C3 · 3000		
Nominal load (E max)	15000 - 25000 - 50000 kg		
Minimum verification interval (V min)	E max / 10000		
Combined error	±±0.02%		
Protection class	IP68		
Rated output	2 mV/V ±0.1%	Input resistance	780 Ω ±20
Temperature effect on zero	0.002% °C	Output resistance	700 Ω ±10
Temperature effect on span	0.002% °C	Zero balance	±1%
Compensated temperature range	-10 °C / +40 °C	Insulation resistance	≥5000 MΩ
Operating temperature range	-30 °C / +70°C	Safe overload (% of full scale)	150%
Creep at nominal load in 30 minutes	0.02%	Ultimate overload (% of full scale)	250%
Max supply voltage without damage	15 V	Deflection at nominal load	0.6 - 1 mm

■ Electrical connections

Cable length	20 m
Cable diameter	6 mm
Cores	6 x 0.22 mm ²

