



N FTK Bending Shear Beam Loadcell

Description



BENDING BEAM: capacity from 75 kg to 300 kg

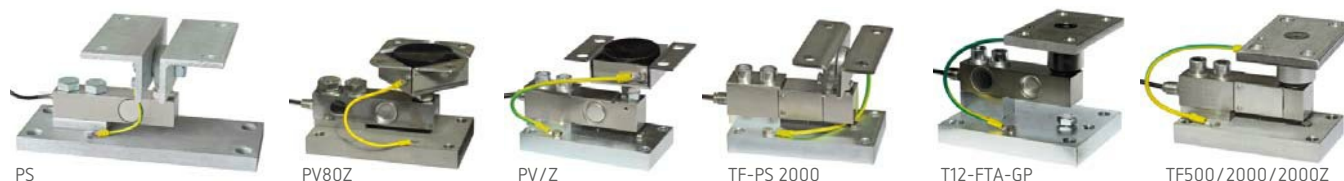


SHEAR BEAM: capacity from 500 kg to 5000 kg



- Special steel
- Combined error $\leq \pm 0.02\%$
- Protection class ip67, ip68

Mounting kits



Technical data

CAPACITY	kg	ACCURACY CLASS C3	IECEx	Ex	EAC	NET WEIGHT OF LOAD CELL (kg)	CODE
75	75	-	•	•	•	1	FTK75
150	150	-	•	•	•	1	FTK150
300	300	-	•	•	•	1	FTK300
500	500	-	•	•	•	1	FTK500
1000	1000	•	•	•	•	1.1	FTK1000
2000	2000	•	•	•	•	1.1	FTK2000
3000	3000	•	•	•	•	1.1	FTK3000
5000	5000	•	•	•	•	1.1	FTK5000

ON REQUEST

Certifications

OIML R60 C3

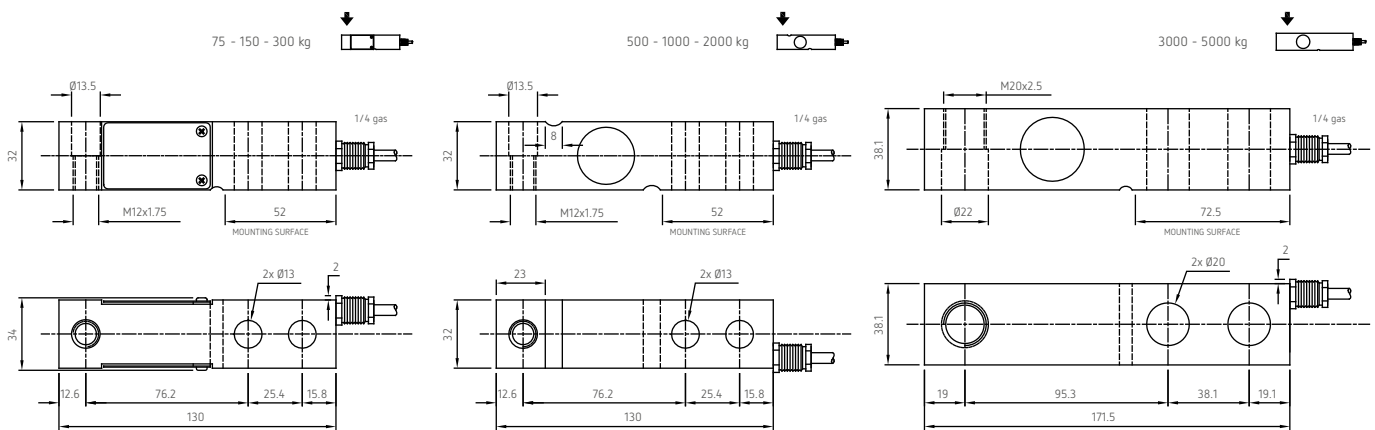
CERTIFICATIONS ON REQUEST

ATEX II 1GD (zone 0-1-2-20-21-22)

IECEx (zone 0-1-2-20-21-22)

EAC Complies with the Eurasian Custom Union regulations (Russia, Belarus, Kazakhstan)

DIMENSIONS (mm)



Technical features

Material	Special steel		
OIML R60 Accuracy class · Verification intervals	-	C3 · 3000	
Nominal load (E max)	75 -150 - 300 - 500 kg	1000 - 2000 - 3000 - 5000 kg	
Minimum verification interval (V min)	-	E max / 12000	
Combined error	≤±0.02%		
Protection class	IP67 (75 - 300 kg), IP68 (500 - 5000 kg)		
Rated output	2 mV/V ±0.1%	Input resistance	400 Ω ±10
Temperature effect on zero	0.002% °C	Output resistance	352 Ω ±2
Temperature effect on span	0.0012% °C	Zero balance	±2%
Compensated temperature range	-10 °C / +40 °C	Insulation resistance	≥5000 MΩ
Operating temperature range	-20 °C / +70 °C	Safe overload (% of full scale)	150%
Creep at nominal load in 30 minutes	0.03%	Ultimate overload (% of full scale)	250%
Max supply voltage without damage	15 V	Deflection at nominal load	0.6 mm

Electrical connections

Cable length	6 m
Cable diameter	5 mm
Cores	4/6 x 0.24 mm ²

