



N FTL Shear Beam Loadcell

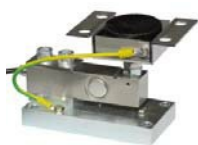


Description

- Capacity from 300 kg to 2000 kg
- 17-4 ph stainless steel
- Combined error = $\pm 0.02\%$
- Protection class ip68



MOUNTING KITS



PV/Z



TF-PS 2000



T12-FTA-GP



TF500/2000/2000Z

Technical data

CAPACITY	kg	ACCURACY CLASS C3	IECEx	Ex	EAC	NET WEIGHT OF LOAD CELL (kg)	CODE
300		•	•	•		0.9	FTL300
500		•	•	•		0.9	FTL500
1000		•	•	•		0.9	FTL1000
2000		•	•	•		0.9	FTL2000

ON REQUEST

Certifications

OIML R60 C3

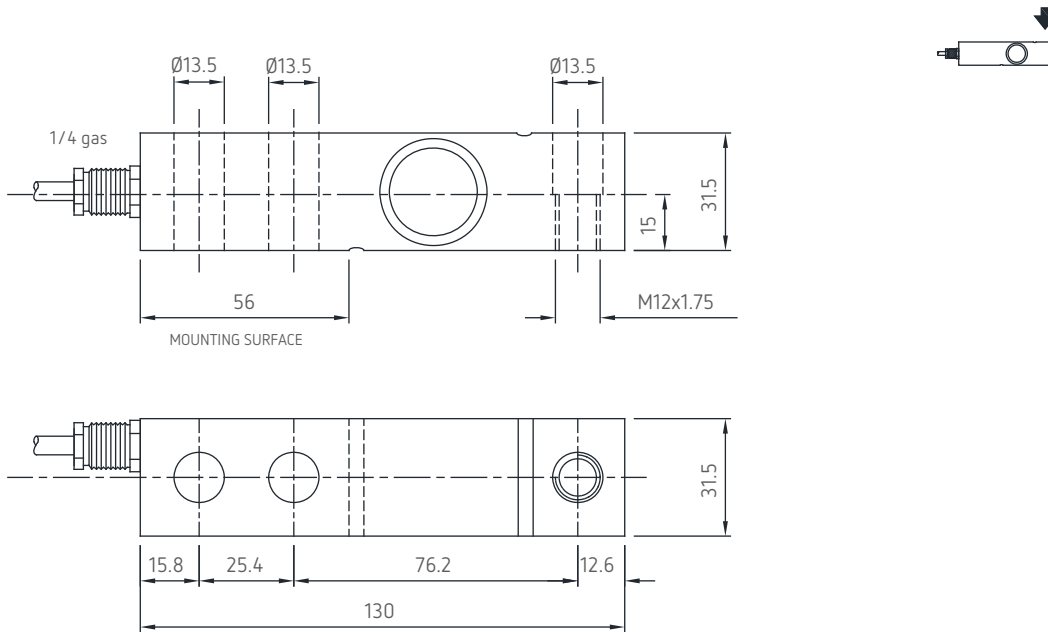
CERTIFICATIONS ON REQUEST

ATEX II 1GD (zone 0-1-2-20-21-22)

IECEx (zone 0-1-2-20-21-22)

Complies with the Eurasian Custom Union regulations (Russia, Belarus, Kazakhstan)

DIMENSIONS (mm)



Technical features

Material	17-4 PH stainless steel		
OIML R60 Accuracy class · Verification intervals	C3 · 3000		
Nominal load (E max)	300 - 500 - 1000 - 2000 kg		
Minimum verification interval (V min)	E max / 10000		
Combined error	≤±0.02%		
Protection class	IP68		
Rated output	2 mV/V ±0.1% *	Input resistance	400 Ω ±20
Temperature effect on zero	0.002% °C	Output resistance	350 Ω ±3
Temperature effect on span	0.0012% °C	Zero balance	±2%
Compensated temperature range	-10 °C / +40 °C	Insulation resistance	≥5000 MΩ
Operating temperature range	-20 °C / +70 °C	Safe overload (% of full scale)	150%
Creep at nominal load in 30 minutes	0.016%	Ultimate overload (% of full scale)	200%
Max supply voltage without damage	15 V	Deflection at nominal load	0.4 mm

* Calibrated current output

Electrical connections

Cable length	5.8 m
Cable diameter	6 mm
Cores	4/6 x 0.22 mm ²

