



N FTP Bending Shear Beam Loadcell



Description

- Aisi 420 stainless steel
- Combined error = ±0.02%
- Protection class ip67, ip68



SHEAR BEAM: capacity from 500 kg to 10000 kg



BENDING BEAM: capacity from 75 kg to 300 kg

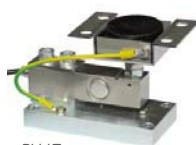
MOUNTING KITS



PS/PS10T



PV80



PV/Z



TF-PS 2000



T12-FTA-GP



TF500/2000/2000Z

Technical data


CAPACITY	kg	ACCURACY CLASS C3				NET WEIGHT OF LOAD CELL (kg)	CODE
75		•	•	•	•	0.9	FTP75
150		•	•	•	•	0.9	FTP150
300		•	•	•	•	0.9	FTP300
500		•	•	•	•	0.9	FTP500
750		•	•	•	•	0.9	FTP750
1000		•	•	•	•	0.9	FTP1000
1200		•	•	•	•	0.9	FTP1200
1500		•	•	•	•	0.9	FTP1500
2000		•	•	•	•	0.9	FTP2000
3000		–	•	•	•	1.6	FTP3000
5000		–	•	•	•	1.6	FTP5000
10000		–	•	•	•	3.8	FTP10000


ON REQUEST

Certifications

 OIML R60 C3

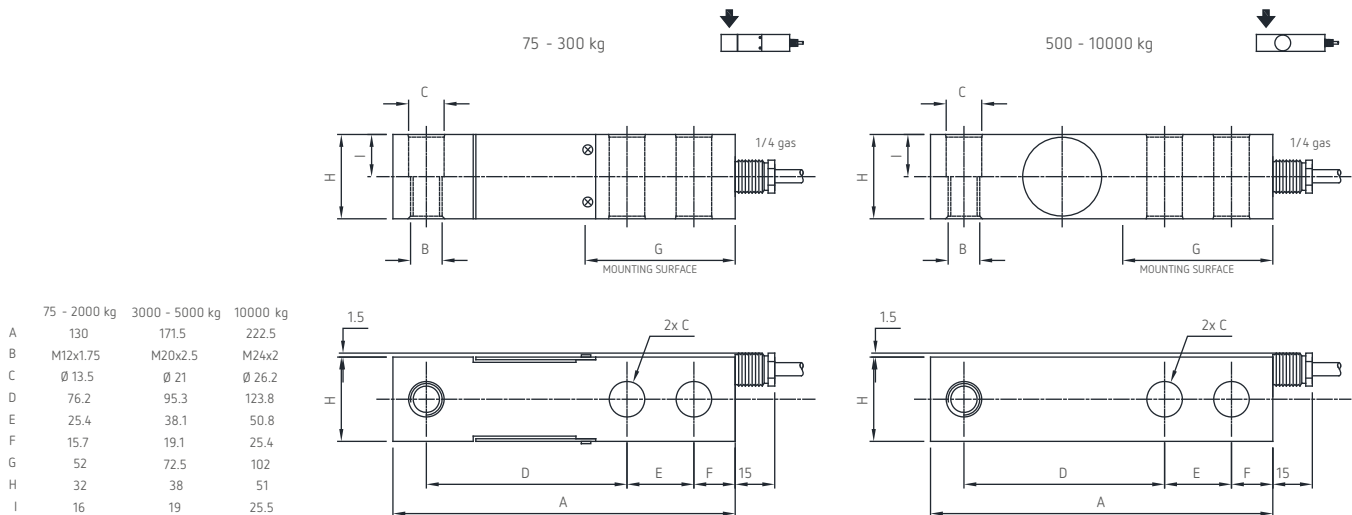
CERTIFICATIONS ON REQUEST

 ATEX II 1GD (zone 0-1-2-20-21-22)

 IECEx (zone 0-1-2-20-21-22)

 Complies with the Eurasian Custom Union regulations (Russia, Belarus, Kazakhstan)

DIMENSIONS (mm)

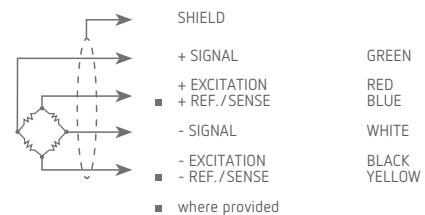


Technical features

Material	AISI 420 stainless steel		
OIML R60 Accuracy class · Verification intervals	C3 · 3000		-
Nominal load (E max)	75 -150 - 300 - 500 kg 1000 -1200 - 1500 - 2000 kg	3000 - 5000 - 10000 kg	
Minimum verification interval (V min)	E max / 12000		-
Combined error	≤±0.02%		
Protection class	IP67 (75 - 300 kg), IP68 (500 - 10000 kg)		
Input resistance	385 Ω ±10		400 Ω ±15
Output resistance	350 Ω ±3		350 Ω ±5
Rated output	2 mV/V ±0.1%	Max supply voltage without damage	15 V
Temperature effect on zero	0.002% °C	Zero balance	±2%
Temperature effect on span	0.0012% °C	Insulation resistance	≥5000 MΩ
Compensated temperature range	-10 °C / +40 °C	Safe overload (% of full scale)	150%
Operating temperature range	-20 °C / +70 °C	Ultimate overload (% of full scale)	200%
Creep at nominal load in 30 minutes	0.03%	Deflection at nominal load	0.4 mm

Electrical connections

Cable length	5 m (75-5000 kg); 10 m (10000 kg)
Cable diameter	5 mm
Cores	4/6 x 0.25 mm ²



Page 2 / 2

The information provided herein is to the best of our knowledge true and accurate, it is provided for guidance only. All specifications are subject to change without prior notification.

Althen – Your expert partner in Sensors & Controls | althensensors.com

Althen stands for pioneering measurement and custom sensor solutions. In addition we offer services such as calibration, design & engineering, training and renting of measurement equipment.

Germany/Austria/Switzerland
info@althen.de

Benelux
sales@althen.nl

France
info@althensensors.fr

Sweden
info@althensensors.se

USA/Canada
info@althensensors.com

Other countries
info@althensensors.com