



**N** DTX Double Shear Beam Loadcell



**Description**

- Nickel plated alloy steel
- Combined error =  $\pm 0.02\%$
- Protection class IP68



MOUNTING KITS



VDTX



Capacity from 20klb to 60klb

CAPACITY	kg	ACCURACY CLASS C3				NET WEIGHT OF LOAD CELL	CODE
20klb / 9 ton		•	•	•	•	2.7	DTX20KLB
30klb / 13.6 ton		•	•	•	•	7.75	DTX30KLB
40klb / 18 ton		•	•	•	•	7.78	DTX40KLB
50klb / 23 ton		•	•	•	•	8.3	DTX50KLB
60klb / 27 ton		•	•	•	•	8.5	DTX60KLB

ON REQUEST

**Certifications**



OIML R60 C3

CERTIFICATIONS ON REQUEST



ATEX II 1GD (zone 0-1-2-20-21-22)



IECEX (zone 0-1-2-20-21-22)



Complies with the Eurasian Custom Union regulations (Russia, Belarus, Kazakhstan)

**Complementary accessories**

**DESCRIPTION**

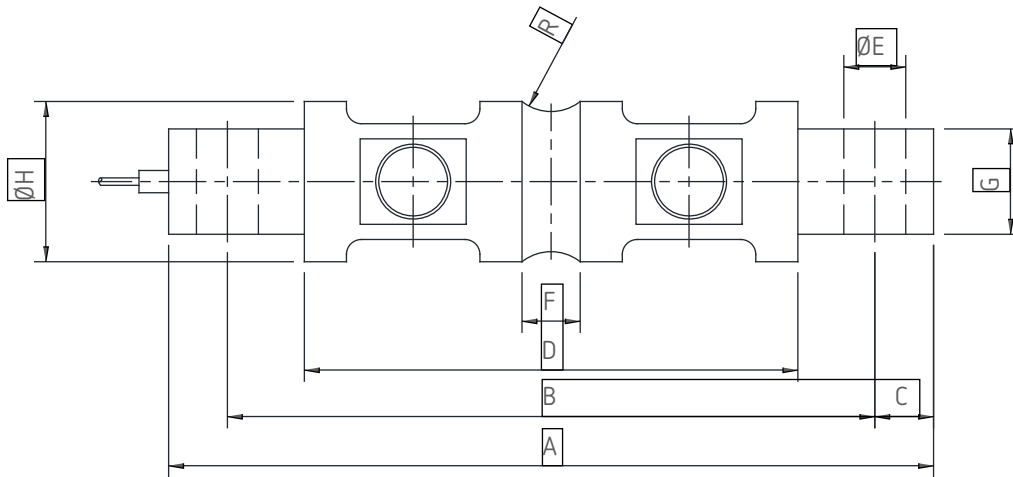
**CODE**

Galvanized steel plate.

PIATTODTL



**■ Dimensions (mm)**



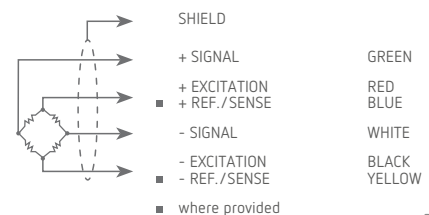
	A	B	C	D	ØE	F	G	ØH	R
20 klb	206	174.6	15.7	133	16.7	21.6	28.4	49.5	12.7
30-60 klb	260	215	22.4	165	27	25.7	60.2	76.2	25.4

**■ Technical features**

Material	Nickel plated alloy steel		
OIML R60 Accuracy class • Verification intervals	C3 • 3000		
Nominal load (E max)	20, 30, 40, 50, 60 klb		
Minimum verification interval (V min)	E max / 10000 - E max / 15000		
Combined error	≤±0.023%		
Protection class	IP68		
Rated output	3.0 mV/V ±0.1%	Input resistance	700 Ω ±7
Temperature effect on zero	0.002% °C	Output resistance	700 Ω ±7
Temperature effect on span	0.002% °C	Zero balance	≤±1%
Compensated temperature range	-10 °C / +40 °C	Insulation resistance	≥5000 MΩ
Operating temperature range	-35 °C / +65 °C	Safe overload (% of full scale)	150%
Creep at nominal load in 30 minutes	0.016%	Ultimate overload (% of full scale)	300%
Max supply voltage without damage	18 V	Deflection at nominal load	0.6 mm

**■ Cable**

Cable length	9 m
Cable diameter	5 mm (20klb) / 8 mm (30klb-60klb)
Cores	4/6 x 0.22 mm <sup>2</sup>



The information provided herein is to the best of our knowledge true and accurate, it is provided for guidance only. All specifications are subject to change without prior notification.

**Althen – Your expert partner in Sensors & Controls | [althensensors.com](http://althensensors.com)**

Althen stands for pioneering measurement and custom sensor solutions. In addition we offer services such as calibration, design & engineering, training and renting of measurement equipment.

Germany/Austria/Switzerland  
info@althen.de

Benelux  
sales@althen.nl

France  
info@althensensors.fr

Sweden  
info@althensensors.se

USA/Canada  
info@althensensors.com

Other countries  
info@althensensors.com