



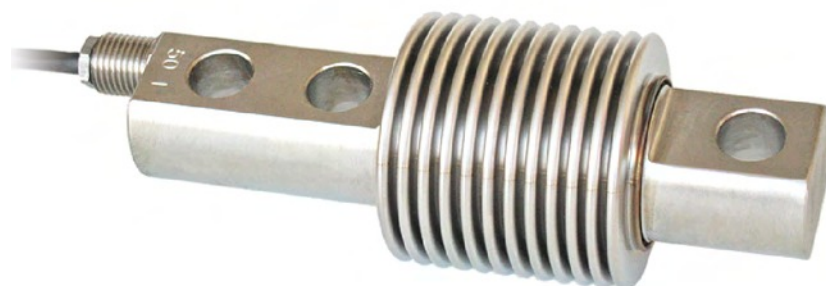
N FCAL Bending Beam Loadcell



Description

- 17-4 ph stainless steel
- Combined error = $\pm 0.017\%$
- Protection class IP68

Capacity from 50 kg to 300 kg



MOUNTING KITS



TF-PV/Z/2000



T12-FCAX-GP



TF-GP/2000



TF-AST



TF-FSB

CAPACITY	kg	ACCURACY CLASS C3			EAC	NET WEIGHT OF LOAD CELL (kg)	CODE
50		•	•	•		0.5	FCAL50
75		•	•	•		0.5	FCAL75
150		•	•	•		0.5	FCAL150
300		•	•	•		0.5	FCAL300

ON REQUEST

Certifications



OIML R60 C3

CERTIFICATIONS ON REQUEST



ATEX II 1GD (zone 0-1-2-20-21-22)

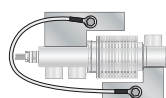


IECEx (zone 0-1-2-20-21-22)



Complies with the Eurasian Custom Union regulations (Russia, Belarus, Kazakhstan)

Complementary accessories



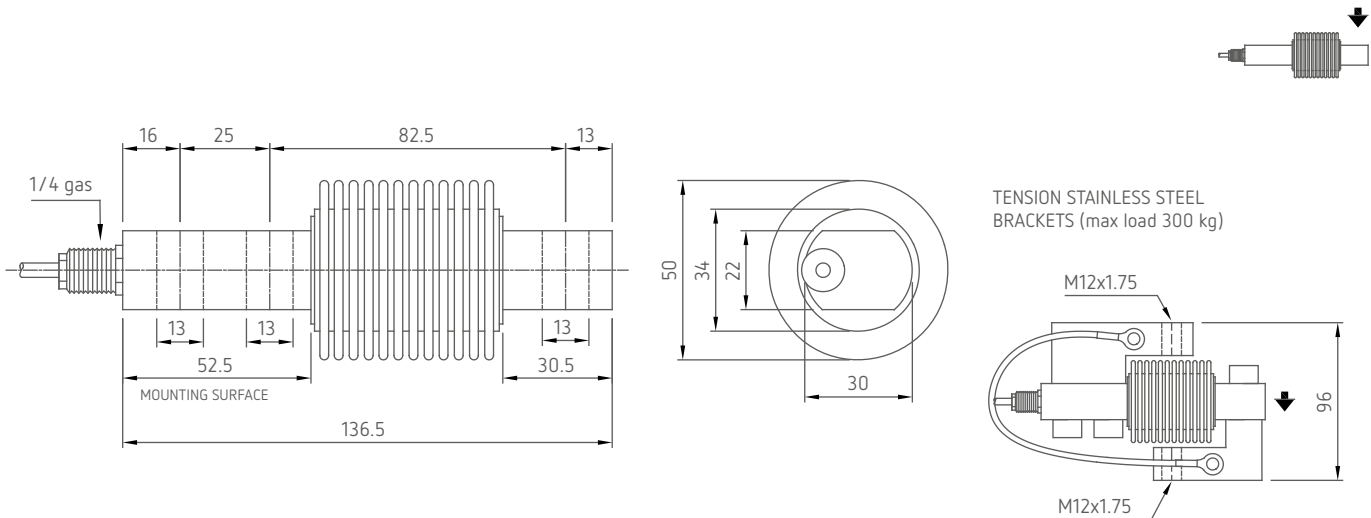
DESCRIPTION

Pair of tension stainless steel brackets.
Maximum static load: 300 kg

CODE

STAFFEFCA

■ Dimensions (mm)



■ Technical features

Material	17-4 PH stainless steel		
OIML R60 Accuracy class · Verification intervals	C3 · 3000		
Nominal load (E max)	50 - 75 -150 - 300 kg		
Minimum verification interval (V min)	E max / 10000		
Combined error	≤±0.017%		
Protection class	IP68		
Rated output	2.0 mV/V ±0.1%	Input resistance	400 Ω ±20
Temperature effect on zero	0.002% °C	Output resistance	350 Ω ±3
Temperature effect on span	0.0012% °C	Zero balance	±2%
Compensated temperature range	-10 °C / +40 °C	Insulation resistance	>5000 MΩ
Operating temperature range	-20 °C / +50°C	Safe overload (% of full scale)	200%
Creep at nominal load in 30 minutes	0.016%	Ultimate overload (% of full scale)	200%
Max supply voltage without damage	15 V	Deflection at nominal load	0.4 mm

■ Electrical connections

Cable length	3 m
Cable diameter	4 mm
Cores	4 x 0.22 mm ²

