



FEATURES

- ◆ Heavy duty design
- ◆ Stainless Steel
- ◆ IP67 rating

APPLICATIONS

- ◆ On-board equipment
- ◆ Endurance test benches
- ◆ Hydraulic Pressures
- ◆ Breaking system laboratory research

FP1124

High Temperature Pressure Transducer

SPECIFICATIONS

- ◆ Easy installation
- ◆ Built-in amplifier
- ◆ With bleeder screw
- ◆ Rugged construction
- ◆ High temperature

The **FP1124** Series of pressure transducers is designed specifically to measure pressure on the brake circuit, including ABS brake systems.

With its rugged design and excellent thermal characteristics, the **FP1124** is built to withstand high temperatures to fit most brake test applications. Additional IP67 protection and a bleeder screw ensure ease of use and long life even under severe environmental conditions. The sensor can be powered by a car battery and delivers direct high-level 0.5 to 5.5 Vdc output signal.

TE CONNECTIVITY has many years of experience as a designer and manufacturer of sensing solutions to the automotive industry and can supply standard or custom sensors for specific uses and testing environments.

On request, Instruction documents can be provided to ease the selection and use of our sensors and provide helpful tips.

STANDARD RANGES

Range in bar (FS)	30	100	200	350
--------------------------	----	-----	-----	-----

PERFORMANCE SPECIFICATIONS (typical values at temperature 23±3°C)

Parameters	
Operating Temperature Range (OTR)	-20 to 100° C [-4 to 266° F]
Compensated Temperature Range (CTR)	20 to 80° C [-4 to 248° F]
Thermal Zero Shift in CTR	<2% / 50° C [100° F]
Thermal Sensitivity Shift in CTR	<2% of reading / 50 °C [100° F]
Range (FS)	30, 100, 200 and 350 bar
Over-Range	
Without Damage	1.5 x F.S
Without Destruction	3 x F.S.
Accuracy	
Combined Non-Linearity & Hysteresis	≤±0.3% F.S.

Electrical Characteristics

Model	FP1124
Supply Voltage	10 to 36Vdc
Sensitivity "FSO"	5V ±0.2V
Zero Offset	0.5V ±0.2V
Input Impedance/Consumption	<50mA
Output Impedance	<10Ω
Insulation under 50Vdc	≥100 MΩ

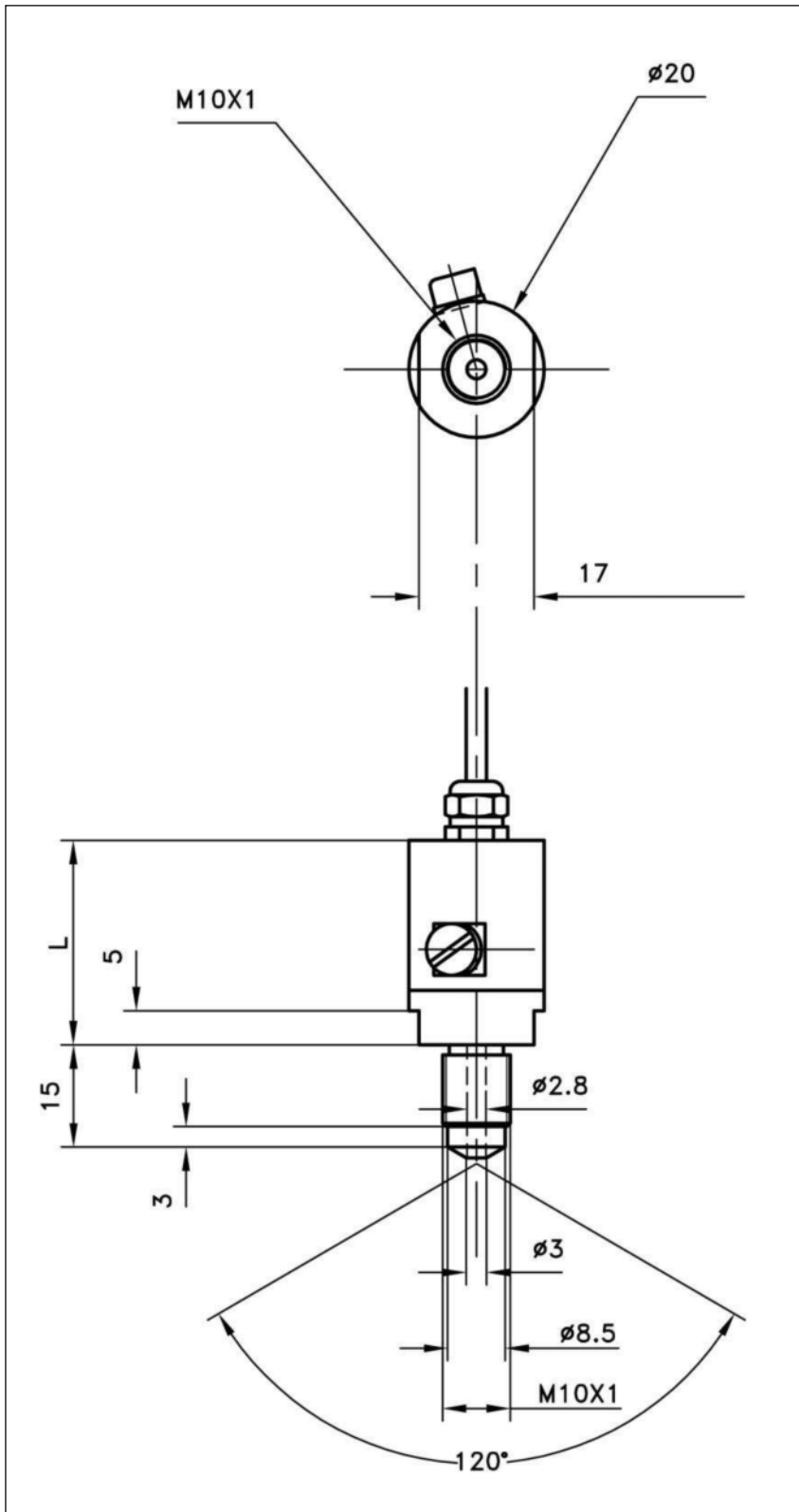
Notes

1. Electrical Termination: 2m Shielded Cable
2. Material: Stainless steel
3. Protection Index: IP67

FP1124

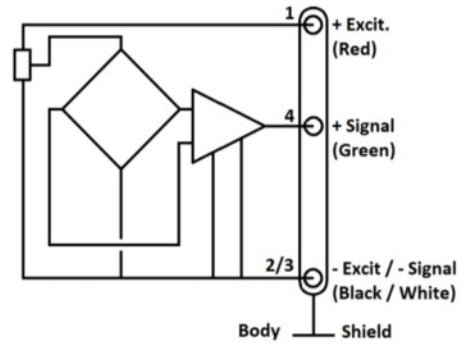
High Temperature Pressure Transducer

DIMENSIONS & WIRING SCHEMATIC (IN METRIC ONLY)



Wiring Schematic

FP1124



FP1124

High Temperature Pressure Transducer

OPTIONS

FP1124-3: Compensation Temperature Range 20 to 80°C [70 to 176°F]
FP1124-5: ET2 option: Compensation Temperature Range -40 to 120°C [-40 to 250°F] CTR=OTR
L00M : special cable length, replace "00" with total length in meters

ORDERING INFO

FP1124-3	-	350B	-	/L5M
Model	-	Range/Unit	-	Options
FP1124-3 FP1124-5	-	30B 100B 200B 350B	-	/L00M

The information given herein, including drawings, illustrations and schematics which are intended for illustration purposes only, is believed to be reliable. However, TE Connectivity makes no warranties as to its accuracy or completeness and disclaims any liability in connection with its use. TE Connectivity's obligations shall only be as set forth in TE Connectivity's Standard Terms and Conditions of Sale for this product and in no case will TE Connectivity be liable for any incidental, indirect or consequential damages arising out of the sale, resale, use or misuse of the product. Users of TE Connectivity products should make their own evaluation to determine the suitability of each such product for the specific application.