

## FEATURES

- ◆ Compression only
- ◆ Accuracy regardless of force application point
- ◆ Extra flat and rugged design

## APPLICATIONS

- ◆ On-board vehicle equipment
- ◆ Test bench equipment
- ◆ Laboratory and research

## FN2570

### Extra-flat Pedal Load Cell

#### SPECIFICATIONS

- ◆ Range 200 to 2500 N (40 to 500 lbf)
- ◆ Stainless Steel material
- ◆ Cable Output
- ◆ Very easy fixation

The **FN2570** load cell has been developed for pedal force testing. It attaches easily on all types of pedals and test rigs for endurance and fatigue tests, especially where size is an important factor.

The force is measured with high precision independent of the point of application of force. A strain relief spring strengthens the cable output.

A similar pedal load cells with a better accuracy 1%FS and integrated amplifier option exists as model **FN2114**.

With many years of experience as a designer and manufacturer of sensors, Measurement Specialties, Inc. often works with customers to design or customize sensors for specific uses and testing environments.

On request, Instruction documents can be provided to ease the selection and use of our sensors and provide helpful tips.

**STANDARD RANGES**

<b>Ranges in N (FS)</b>	200	500	1000	1500	2000	2500
<b>Ranges</b>	<b>in</b>	<b>lbf</b>	<b>(FS)</b>	40	100	200
300	400	500				
<b>Material</b>	Aluminum		Stainless steel			

<b>Parameters</b>	
Operating Temperature Range (OTR)	-20 to 80° C [-4 to 176° F]
Compensated Temperature Range (CTR)	0 to 60° C [32 to 140° F]
Zero Shift in CTR	<0.5% F.S. / 50° C [/100° F]
Sensitivity Shift in CTR	<1% of reading / 50° C [/100° F]
Range (F.S.)	0-200 to 0-2500 N [0-40 to 0-500 lbf]
<b>Over-Range</b>	
Without Damage	1.5 x F.S.
Without Destruction	3 x F.S.
<b>Accuracy</b>	
Combined non-linearity & hysteresis	↑±2.5% F.S.

**Electrical Characteristics**

<b>Model</b>	<b>FN2570</b>
Supply Voltage	10Vdc
F.S. Output	±2mV/V
Zero Offset	±5% F.S.
Input Impedance/Consumption	700Ω
Output Impedance	700Ω
Insulation under 50Vdc	≥100MΩ

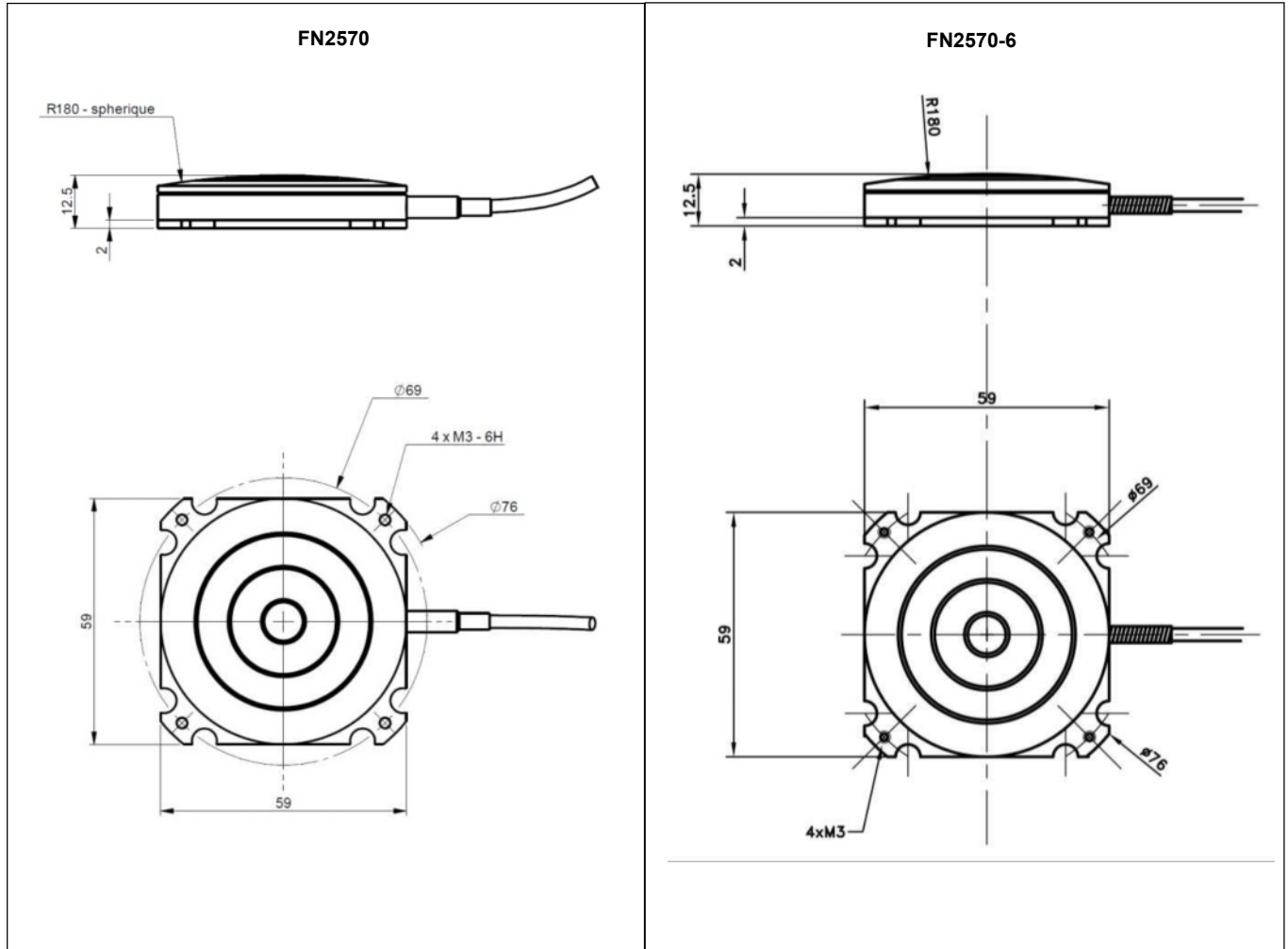
**Notes**

1. Electrical Termination: 2m shielded cable length
2. Protection Index: IP50 3.
3. CE conformance according to EN 61010-1, EN 50081-1, EN 50082-1

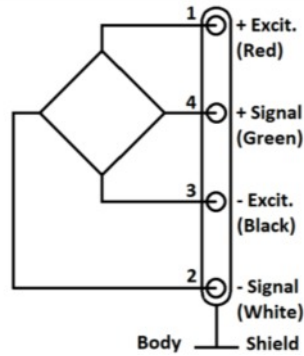
# FN2570

Extra-flat Pedal Load Cell

## DIMENSIONS & WIRING SCHEMATIC (IN METRIC AND IMPERIAL)



### Wiring Schematic



## FN2570

Extra-flat Pedal Load Cell

### OPTIONS

<b>FN2570:</b> Cable output with strait tube
<b>FN2570-6:</b> Cable output with spring
<b>L00M :</b> special cable length, replace "00" with total length in meters

### ORDERING INFORMATION

<b>FN2570-6</b>	-	<b>1KN</b>	-	<b>/L5M</b>
Model	-	Range/Unit	-	Options
<b>FN2570</b> <b>FN2570-6</b>	-	<b>200N</b> <b>500N</b> <b>1KN</b> <b>1.5KN</b> <b>2KN</b> <b>2.5KN</b>	-	<b>/L00M</b>

The information given herein, including drawings, illustrations and schematics which are intended for illustration purposes only, is believed to be reliable. However, TE Connectivity makes no warranties as to its accuracy or completeness and disclaims any liability in connection with its use. TE Connectivity's obligations shall only be as set forth in TE Connectivity's Standard Terms and Conditions of Sale for this product and in no case will TE Connectivity be liable for any incidental, indirect or consequential damages arising out of the sale, resale, use or misuse of the product. Users of TE Connectivity products should make their own evaluation to determine the suitability of each such product for the specific application.