



m/s² 746
Underwater accelerometer

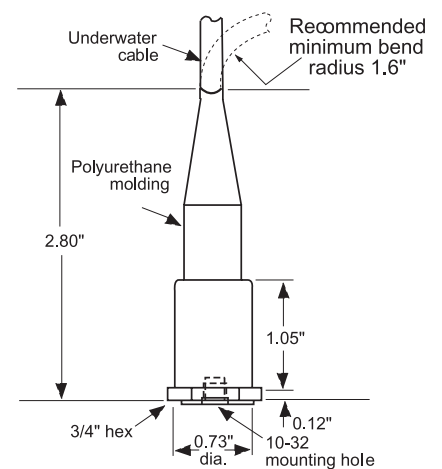
SPECIFICATIONS

Sensitivity, ±5%, 25°C	100 mV/g	
Acceleration range¹	80 g peak	
Amplitude nonlinearity	1%	
Frequency response:	±1 dB	2 - 8,000 Hz
	±3 dB	1 - 15,000 Hz
Resonance frequency, mounted, nominal	30 kHz	
Transverse sensitivity, max	5% of axial	
Temperature response:	-50°C	-10%
	+80°C	+4%
Power requirement:		
Voltage source	18 - 30 VDC	
Current regulating diode¹	2 - 10 mA	
Electrical noise, equiv. g, nominal:		
Broadband	2.5 Hz to 25 kHz	50 µg
Spectral	10 Hz	10 µg/√Hz
	100 Hz	0.8 µg/√Hz
	1,000 Hz	0.2 µg/√Hz
Output impedance, max	100 Ω	
Bias output voltage	10, ±2 VDC	
Grounding	isolated	
Hydrostatic pressure	650 psi	
Temperature range	-50° to +80°C	
Vibration limit	500 g peak	
Shock limit	5,000 g peak	
Base strain sensitivity	0.005 g/µstrain	
Dynamic weight	45 grams	
Case material	titanium	
Mounting	10-32 tapped hole	
Integral cabling	J6, 10 ft.	



Key features

- High pressure rating
- Wide frequency range
- Manufactured in ISO 9001 facility



Notes: ¹ To minimize the possibility of signal distortion when driving long cables with high vibration signals, 24 to 30 VDC powering is recommended. The higher level constant current source should be used when driving long cables.

Accessories supplied: SF1 mounting stud; calibration data

Pin assignments	
Pin #	Cable
1	NC
2	shield/common
3	NC
4	NC
5	B+/signal
6	NC

R13 Connector
(Seacon AWM-6-MP)

Connections	
Function	Connector
power/signal	center
common	shield

Note: Due to continuous process improvement, specifications are subject to change without notice. This document is cleared for public release.

The information provided herein is to the best of our knowledge true and accurate, it is provided for guidance only. All specifications are subject to change without prior notification.

Althen – Your expert partner in Sensors & Controls | althensensors.com

Althen stands for pioneering measurement and custom sensor solutions. In addition we offer services such as calibration, design & engineering, training and renting of measurement equipment.