



**mm LMT**

**Features**

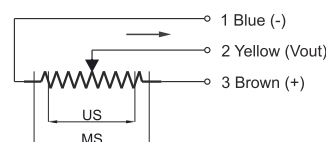
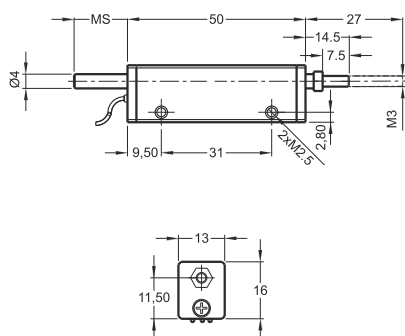
- Measuring range 10-50 mm
- Long mechanical life
- Excellent repeatability <0.01 mm
- Infinite resolution



**Technical Specifications**

Measurement stroke	10 to 50 mm
Linearity	±%0,5 (<75mm)
Repeatability	< 0,01 mm
Resolution	Infinite
Resistance	2 kOhm or 5 kOhm or 10 kOhm
Resistance tolerance	±%20
Load tolerance	100 kOhm min
Recommended cursor current	<1 µA
Permissible applied voltage	28 VDC max.
Electrical connections	Cable output
Displacement speed	<5 m/s

Mechanical life	50 million cycles
Case dimensions	13x16 mm
Case material	Anodized aluminium
Rod material	Stainless steel
Rod diameter	Ø4 mm
Mechanical fixing	Screws
IP degree	IP 63
Operating temperature	-20°C ... +80°C
Storage temperature	-30°C ... +90°C



LMT(mm)	10	14	25
US (Usefull Stroke)	10	14	25
MS (Mechanical Stroke)	12	15	27
L (Total Length)	69	77	89

Model	Measurement stroke (mm)	Linearity (%)	Resistance (KOhm)	Connector / Cable
(example) LMT	25	D	5K	0M15
LMT	10 ... 25mm	D : ± %0,5 (<75mm)	2K : 2 KOhm 5K : 5 KOhm 10K : 10 KOhm	0M15 : 0,15 meter cable (standard) 1M : 1 meter cable

07.2019 | version 0001

The information provided herein is to the best of our knowledge true and accurate, it is provided for guidance only. All specifications are subject to change without prior notification.

**Althen – Your expert partner in Sensors & Controls | [althensensors.com](http://althensensors.com)**

Althen stands for pioneering measurement and custom sensor solutions. In addition we offer services such as calibration, design & engineering, training and renting of measurement equipment.

Germany / Austria / Switzerland  
info@althen.de

Benelux  
sales@althen.nl

France  
info@althensensors.fr

Sweden  
info@althensensors.se

USA / Canada  
info@althensensors.com

Other countries  
info@althensensors.com