



**mm RTK**

**Features**

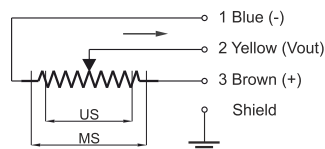
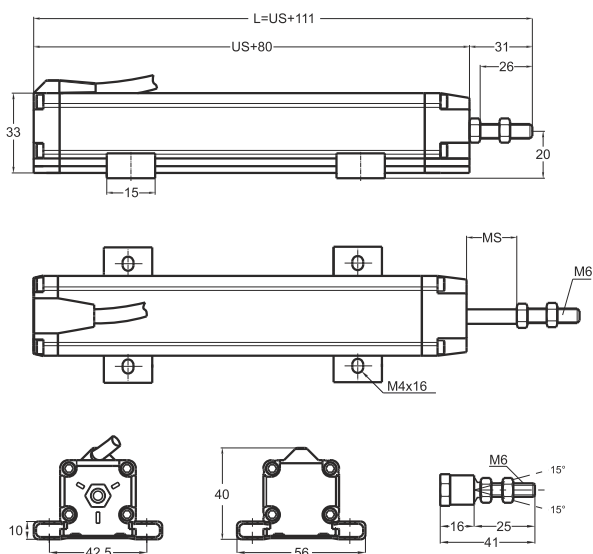
- Measuring range 30 - 1 000 mm
- Long mechanical life 1 00 million cycles
- Excellent repeatability <0.01 mm
- Infinite resolution
- 5 KOhm or 10 KOhm



**Technical Specifications**

Measurement stroke	30 to 1000 mm
Linearity	±%0,05 (>200mm), ±%0,1 (130-200mm), ±%0,2 (75-130mm), ±%0,5 (<75mm)
Repeatability	< 0,01 mm
Resolution	Infinite
Resistance	5 KOhm or 10 KOhm
Resistance tolerance	±%20
Load resistance	100 KOhm min.
Recommended cursor current	<1 µA
Permissible applied voltage	28VDC max.

Electrical connections	Cable 1m
Displacement speed	< 5 m/s
Mechanical life	100 million cycles
Case dimensions	33mmx33 mm
Case material	Anodized aluminium
Rod diameter	Ø6 mm
Rod material	Stainless steel
Mechanical fixing	Variable brackets
IP degree	IP 65
Operating temperature	-20°C ... +80°C
Storage temperature	-30°C ... +90°C



RTK (mm)	30	50	75	100	125	130	150	175	200	225	250	275	300	325	350	375	400	450	500	550	600	650	700	750	800	850	900	1000
US (Usefull Stroke)	30	50	75	100	125	130	150	175	200	225	250	275	300	325	350	375	400	450	500	550	600	650	700	750	800	850	900	1000
MS (Mechanical Stroke)	33	53	73	103	128	133	153	178	203	228	253	278	303	328	353	373	403	453	503	553	603	653	703	753	803	853	903	1003
L (Total Length)	141	161	186	211	236	241	261	286	311	336	361	386	411	436	461	486	511	561	611	661	711	761	811	861	911	961	1011	1111

Model	Measurement stroke (mm)	Linearity (%)	Resistance (KOhm)	Connector / Cable
(example) RTK	500	D	5K	1M
RTK	30 ... 1000 mm	D : ± %0,05 (>200mm) ± %0,1 (130-200mm) ± %0,2 (75-130mm) ± %0,5 (<75mm)	5K : 5 KOhm 10K : 10 KOhm	1M : 1 meter cable 2M5 : 2,5 meter cable

The information provided herein is to the best of our knowledge true and accurate, it is provided for guidance only. All specifications are subject to change without prior notification.

**Althen – Your expert partner in Sensors & Controls | [althensensors.com](http://althensensors.com)**

Althen stands for pioneering measurement and custom sensor solutions. In addition we offer services such as calibration, design & engineering, training and renting of measurement equipment.

Germany / Austria / Switzerland  
info@althen.de

Benelux  
sales@althen.nl

France  
info@althensensors.fr

Sweden  
info@althensensors.se

USA / Canada  
info@althensensors.com

Other countries  
info@althensensors.com