

**α** PRI 58 RK11

**Features**

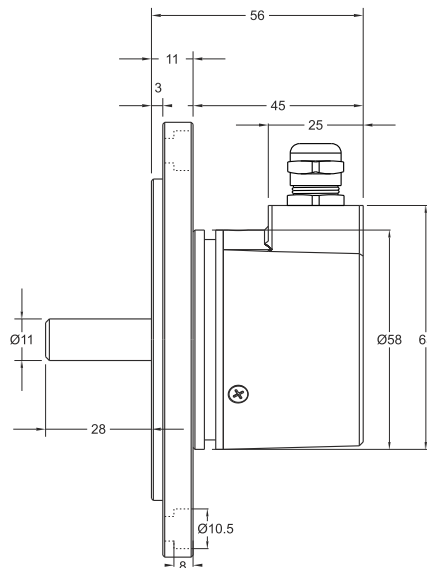
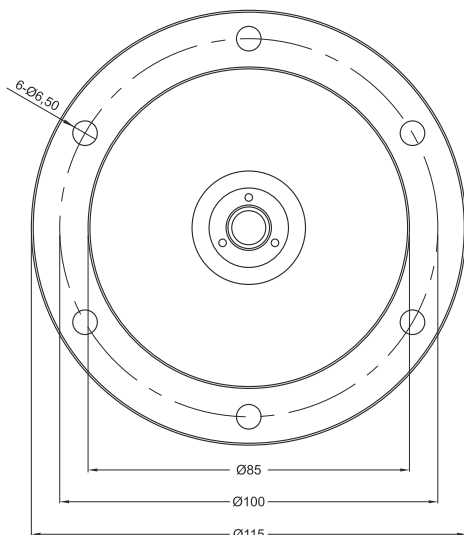
- 58 mm case diameter
- 100- 200- 360-400-500-600-720- 1000- 1024  
1800 - 2000 - 2048 - 2500 - 3600 - 4000 - 4096 - 5000 ppr.
- Push-Pull, TTL Linedriver and HTL Linedriver outputs
- Shaft diameter 11 mm
- 3500 rpm max.



**Technical Specifications**

Resolution	100 to 5000 ppr.
Output Channels	A,B,Z or A,Ā, B,Ḃ, Z,Z̄
Output type	Push-Pull, TTL Linedriver, HTL Linedriver
Supply voltage	5V DC or 8-24V DC or 5-24V DC
Power Consumption	(without load) < 40 nA (24 VDC)
Cable	2.5m (Standard) 5 Wire+ Shield for Pushpull 2.5m (Standard) 8 Wire + Shield for Linedriver
Max. Permissible Shaft Loading	Radial 60N Axial 40N

Max. Speed	3.500 rpm
Shaft Diameter	Ø11mm
Shaft Material	Stainless Steel
Case Diameter	Ø58mm
Case Material	Aluminium and Painted Steel
IP degree	IP 54
Operating temperature	-20°C ... +80°C
Storage temperature	-30°C ... +90°C



Model	Case Diameter	Case Type	Shaft Diameter	Output Type	Resolution	Output Channels	Supply Voltage	Connector / Cable	Cable Output
(example) PRI	58	RK	R11	HLD	1024	Z	V2	2M5	R
PRI	58mm	RK : Tacho flange	R11 : 11mm	LTP : Push-Pull LD : TTL Linedriver HLD : HTL Linedriver	100 ... 5000 ppr.	Z : A, B, Z B : A, B	V1 : 5V DC V2 : 8-24V DC V3 : 5-24V DC	2M5 : 2,5 meter cable 5M : 5 meter cable 8M : 8 meter cable 10M : 10 meter cable C12 : 12 pin connector	R : Radial

The information provided herein is to the best of our knowledge true and accurate, it is provided for guidance only. All specifications are subject to change without prior notification.

**Althen – Your expert partner in Sensors & Controls | [althensensors.com](http://althensensors.com)**

Althen stands for pioneering measurement and custom sensor solutions. In addition we offer services such as calibration, design & engineering, training and renting of measurement equipment.

Germany / Austria / Switzerland  
info@althen.de

Benelux  
sales@althen.nl

France  
info@althensensors.fr

Sweden  
info@althensensors.se

USA / Canada  
info@althensensors.com

Other countries  
info@althensensors.com