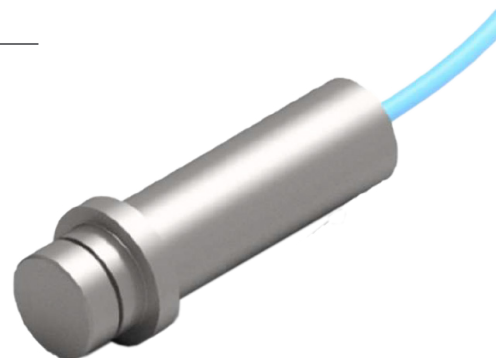




bar

**MP40 / MP42 CONSTANT CURRENT EXCITED**  
Flush Mount Pressure Transmitter

- Flush mountable, low cost pressure transducers
- Made of corrosive resistant titanium (6AL4V) – excellent performance with corrosive media
- Absolute or sealed reference options
- Strong signal / strong full scale output
- Long term stability versions
- High vibrations options
- Coating options for liquids and bio-fluids (PTFE or nanostructured surface)
- Compatible with pressure fittings and calibration adaptors



**MECHANICAL**

Standard pressure ranges	2	3.5	7	15	20	35	70	140	200	350	500	bar
	25	50	100	200	300	500	1000	2000	3000	5000	7000	psi
Non-standard pressure ranges	1	1.5	2	2.5	3	5	10	17.5	30	700		bar
	15	20	30	35	40	75	150	250	400	1000		psi

Other possible ranges	Consult Factory
Over Pressure (No change out of spec.)	2 x Range
Usable Pressure (Small change in balance)	3 x Range
Burst Pressure	6 x Range

**PERFORMANCE**

OPTIONS (ALL VALUES MAXIMUM)

Performance Option	A (STD)	B	C	D	
Balance (Zero)	± 3.00	± 2.00	± 2.00	± 2.00	mV
Full Scale Sensitivity MP40	20 ± 2.00	20 ± 2.00	20 ± 2.00	20 ± 2.00	mV/V
Full Scale Sensitivity MP42	27 ± 1.40	27 ± 1.40	27 ± 1.40	27 ± 1.40	mV/mA
Static Error Band	± 0.5	± 0.25	± 0.25	± 0.25	% FS (BFSL)
Thermal Balance (Zero) Shift	± 0.036	± 0.036	± 0.018	± 0.009	% FS/°C
Thermal Sensitivity Shift	± 0.036	± 0.036	± 0.018	± 0.009	% FS/°C
Long Term Stability (std)	< ± 2	< ± 2	< ± 2	< ± 2	% FS/yr
Long Term Stability Options	<b>L10</b> < ± 1	<b>L5</b> < ± 0.5	<b>L2</b> < ± 0.2	<b>L1</b> < ± 0.1	% FS/yr



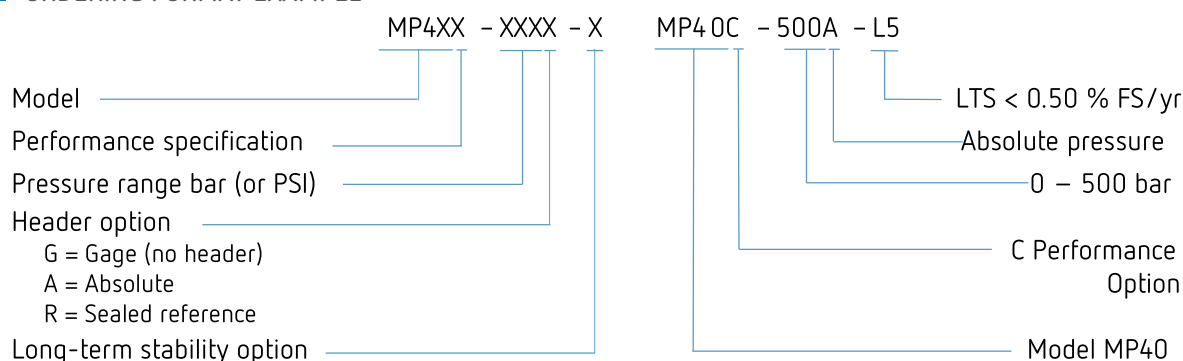
**ENVIRONMENTAL**

Storage and Operating Temperature (standard)	-20°C to +80° C
Compensated Temperature Range (Consult factory for other ranges)	0°C to +55°C
Extended Temperature Range	-54°C to + 95°C
Acceleration (Consult factory for high vibration options)	100g's any axis
Media C compatibility (wetted surface)	Titanium or coating

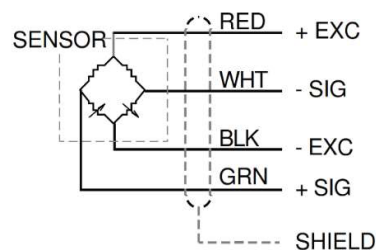
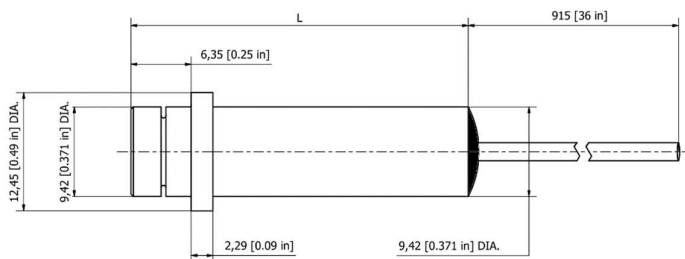
**ELECTRICAL**

	MP 40	MP 42
Input Constant Voltage Excited [V DC or AC]	5.0	-
Input Constant Current Excited [mA DC or AC]	-	4.0
Maximum Voltage (for short periods) [V]	30	30
Input Resistance [Ω]	1400 ± 400	725 ± 200
Output Resistance [Ω]	850 ± 200	600 ± 150
Insulation Resistance Minimum @50 VDC [MΩ]	50	50

**ORDERING FORMAT EXAMPLE**



**OUTLINE**



Unit type	Transducer length L
Gage	35,56 mm [1.4 in]
Absolute, sealed reference	43,18 mm [1.7 in]