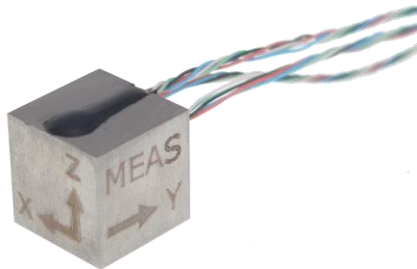


# MODEL EGAXT3 TRIAxIAL ACCELEROMETER



## SPECIFICATIONS

- Miniature Triaxial Design
- mV Output DC Response
- Critically Fluid Damped
- 10,000 g Over-range Stops
- Broad Temperature Range

The Model EGAXT3 miniature accelerometer combine a damping ratio of 0.7 (nominal) with built-in over-range stops that protect the unit against 10,000g shocks. This is ideal for applications which may experience rough handling or in situations where the accelerometer must survive a high initial overload in order to make a low g measurement.

The model EGAXT3 features a common piezo-resistive Wheatstone Bridge design with a mV output. The accelerometer incorporates an inline temperature compensation module which ensures accurate output over full operating temperature range.

## FEATURES

- Miniature Triaxial, Low Weight
- Static and Dynamic Measurement
- Frequency Response from DC to 3000 Hz
- $\pm 1\%$  Non-Linearity
- $-40^{\circ}\text{C}$  to  $+120^{\circ}\text{C}$  Operating Range
- 10,000g Over-range Protection

## APPLICATIONS

- Flight Test & Control
- Launch Vehicles
- Drop Testing
- Impact & Shock Testing
- Munitions Testing
- Pile Driving
- Harsh Environments

# MODEL EGAXT3 TRIAXIAL ACCELEROMETER

## PERFORMANCE SPECIFICATIONS

All values are typical at +24°C, 80Hz and 15Vdc excitation unless otherwise stated. Measurement Specialties reserves the right to update and change these specifications without notice.

Parameters										Notes
<b>DYNAMIC</b>										
Range (g)	±5	±10	±25	±50	±100	±250	±500	±1000	±2500	
Sensitivity (mV/g) <sup>1</sup>	5.2-11.3	4.2-9.0	2.1-4.5	1.57-3.38	1.05-2.25	.52-1.13	.35-.75	.17-.38	.07-.15	
Frequency Response min. (Hz)	0-120	0-140	0-300	0-350	0-400	0-500	0-750	0-1000	0-1400	±½ dB
Frequency Response nom. (Hz)	0-250	0-300	0-600	0-700	0-900	0-1000	0-1500	0-2000	0-3000	±½ dB
Natural Frequency (Hz)	500	600	1200	1400	1700	2000	3000	4000	6000	
Non-Linearity (%FSO)	±1	±1	±1	±1	±1	±1	±1	±1	±1	
Transverse Sensitivity (%)	<3	<3	<3	<3	<3	<3	<3	<3	<3	
Damping Ratio	0.7	0.7	0.7	0.7	0.7	0.7	0.7	0.7	0.7	Nominal
Shock Limit (g)	2000	2000	5000	5000	10000	10000	10000	10000	10000	
<b>ELECTRICAL</b>										
Zero Acceleration Output (mV)	±20 Differential									
Excitation Voltage (Vdc)	15 (can be used from 2 to 15Vdc but lower excitation voltage will decrease sensitivity accordingly)									
Input Resistance (Ω)	2000									
Output Resistance (Ω)	1000									
Insulation Resistance (MΩ)	>100									
Ground Isolation	Isolated from Mounting Surface									
<b>ENVIRONMENTAL</b>										
Thermal Zero Shift	±2.5mV / 50°C (±2.5mV / 100°F)									
Thermal Sensitivity Shift	+1% to -4% / 50°C (+1% to -4% / 100°F)									
Operating Temperature	-40 to 120°C (-40 to 250°F)									
Compensated Temperature	20 to 80°C (70 to 170°F), contact factory for other temperature compensation options									
Storage Temperature	-40 to 120°C (-40 to 250°F)									
Humidity	Epoxy Sealed, IP61									
<b>PHYSICAL</b>										
Case Material	Stainless Steel									
Cable	4x #34 AWG PTFE Leads, 24 inch, each axis									
Weight	<6 grams									
Mounting	Adhesive or Screw Mount Versions Available (-F configuration)									
<sup>1</sup> Output is ratiometric to excitation voltage										

Calibration supplied: CS-FREQ-0100 NIST Traceable Amplitude Calibration from 20Hz to ±1/2dB Frequency Response Limit

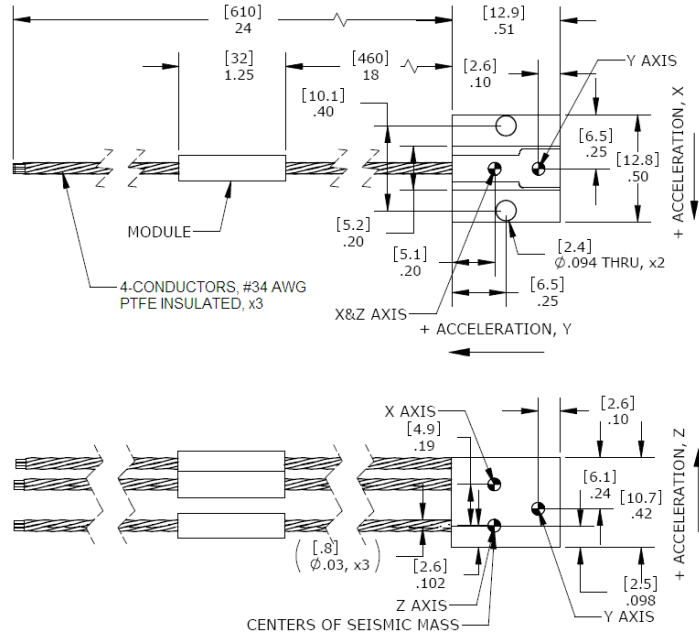
Optional accessories: 121 Three Channel DC Signal Conditioner Amplifier  
140A Auto-zero Inline Amplifier

The information in this sheet has been carefully reviewed and is believed to be accurate; however, no responsibility is assumed for inaccuracies. Furthermore, this information does not convey to the purchaser of such devices any license under the patent rights to the manufacturer. Measurement Specialties, Inc. reserves the right to make changes without further notice to any product herein. Measurement Specialties, Inc. makes no warranty, representation or guarantee regarding the suitability of its product for any particular purpose, nor does Measurement Specialties, Inc. assume any liability arising out of the application or use of any product or circuit and specifically disclaims any and all liability, including without limitation consequential or incidental damages. Typical parameters can and do vary in different applications. All operating parameters must be validated for each customer application by customer's technical experts. Measurement Specialties, Inc. does not convey any license under its patent rights nor the rights of others.

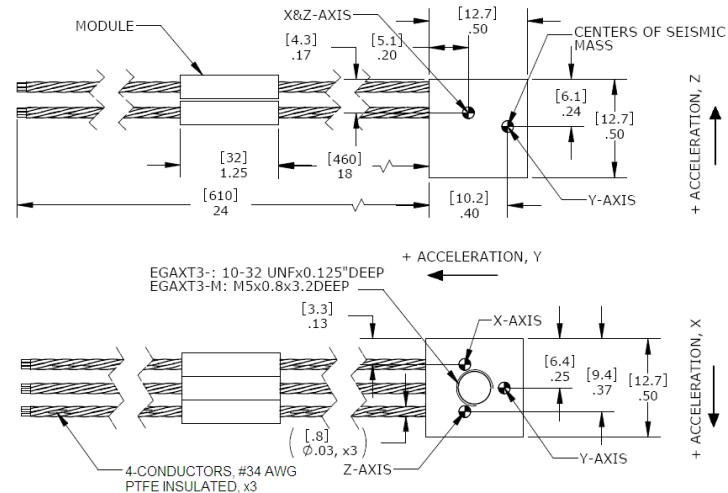
# MODEL EGAXT3 TRIAXIAL ACCELEROMETER

## DIMENSIONS

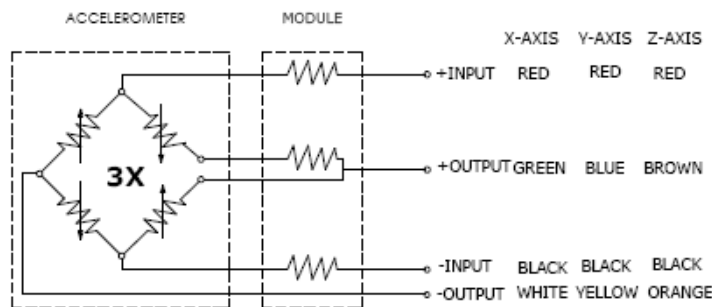
### EGAXT3-F Dimensions



### EGAXT3 Dimensions



## SCHEMATIC



# MODEL EGAXT3 TRIAXIAL ACCELEROMETER

## ORDERING INFORMATION

<b>EGAXT3</b>	<b>F</b>	<b>GGG</b>	<b>-LXX</b>
<b>Series Type</b>			
<b>Housing Configuration</b>			
F = Flange Mount Version			
Blank = Epoxy Mount Version			
<b>Range</b>			
5 = 5g			
10 = 10g			
25 = 25g			
50 = 50g			
100 = 100g			
250 = 250g			
500 = 500g			
1000 = 1000g			
2500 = 2500g			

### Cable length (standard is 2 feet)

L2M = 2 meter

L3M = 3 meter

L5M = 5 meter

L5F = 5 feet

L10F = 10 feet

Example; EGAXT3-F-100

Model EGAXT3, flange mount version, 100g range, standard 2 feet cable length

EGAXT3-100-/L5M

Model EGAXT3, epoxy mount version, 100g range, 5 meter cable length

The information given herein, including drawings, illustrations and schematics which are intended for illustration purposes only, is believed to be reliable. However, TE Connectivity makes no warranties as to its accuracy or completeness and disclaims any liability in connection with its use. TE Connectivity's obligations shall only be as set forth in TE Connectivity's Standard Terms and Conditions of Sale for this product and in no case will TE Connectivity be liable for any incidental, indirect or consequential damages arising out of the sale, resale, use or misuse of the product. Users of TE Connectivity products should make their own evaluation to determine the suitability of each such product for the specific application.