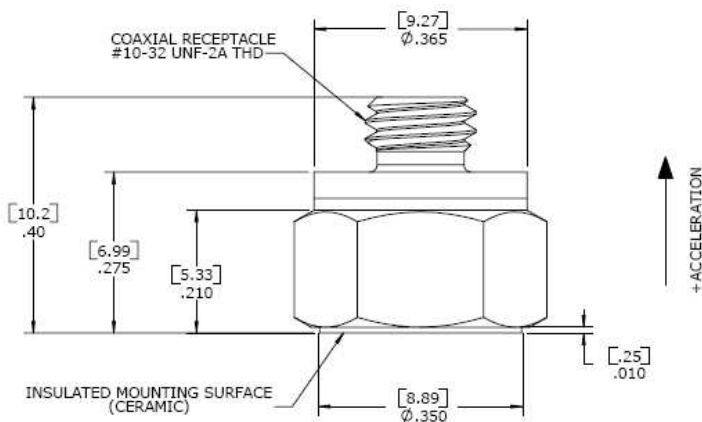
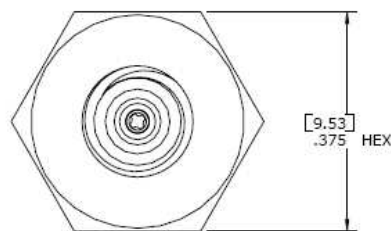


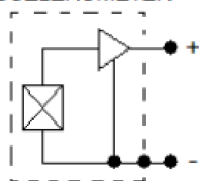
# MODEL 7108A ACCELEROMETER



## DIMENSIONS



### ACCELEROMETER



## SPECIFICATIONS

- ◆ IEPE Accelerometer
- ◆ Wide Bandwidth to 10kHz
- ◆ 10-32 Top Connector
- ◆ Miniature, Adhesive Mount

The Model 7108A is a miniature adhesive mount IEPE accelerometer available in  $\pm 50g$  to  $\pm 500g$  dynamic ranges. The accelerometer features a welded hermetic stainless steel construction with a 10-32 top connector. The model 7108A incorporates a stable piezo-ceramic crystal in annular shear mode, installed with a compression ring that eliminates the usage of epoxies that can affect long term stability. The accelerometer has an operating range of  $-55^{\circ}\text{C}$  to  $+125^{\circ}\text{C}$  and a flat frequency response to 10kHz.

## FEATURES

- ◆  $\pm 50g$  to  $\pm 500g$  Dynamic Range
- ◆ Wide bandwidth up to 10kHz
- ◆ Welded Stainless Steel
- ◆ Hermetically Sealed
- ◆  $-55^{\circ}\text{C}$  to  $+125^{\circ}\text{C}$  Operating Range
- ◆ Annular Shear Mode
- ◆ Isolated from Mounting Surface

## APPLICATIONS

- ◆ Vibration & Shock Monitoring
- ◆ Laboratory Testing
- ◆ Modal Applications
- ◆ High Frequency Applications

**PERFORMANCE SPECIFICATIONS**

All values are typical at +24°C, 80Hz and 4mA excitation unless otherwise stated. Measurement Specialties reserves the right to update and change these specifications without notice.

**Parameters**

**DYNAMIC**

			<b>Notes</b>
Range (g)	±50	±500	
Sensitivity (mV/g)	100	10	±10%
Frequency Response (Hz)	1-8000	1-8000	±10%
Frequency Response (Hz)	0.5-10000	0.5-10000	±2dB
Natural Frequency (Hz)	32000	32000	
Non-Linearity (%FSO)	±1	±1	
Transverse Sensitivity (%)	<5	<5	
Shock Limit (g)	5000	5000	

**ELECTRICAL**

Compliance Voltage (Vdc)	18 to 30	18 to 30	
Excitation Current (mA)	2 to 10	2 to 10	
Bias Voltage (Vdc)	8 to 12	8 to 12	Room Temperature
Bias Voltage (Vdc)	6 to 14	6 to 14	-55 to +125°C
Output Impedance (Ω)	<100	<100	
Full Scale Output Voltage (V)	±5	±5	
Residual Noise (g RMS)	0.0004	0.0008	Broadband 1Hz to 10kHz
Discharge Time Constant (sec)	0.8 to 1.2		
Ground Isolation	Isolated from Mounting Surface		

**ENVIRONMENTAL**

Temperature Response (%)	See Typical Temperature Response Curve
Operating Temperature (°C)	-55 to +125
Storage Temperature (°C)	-55 to +125
Humidity	Hermetically Sealed

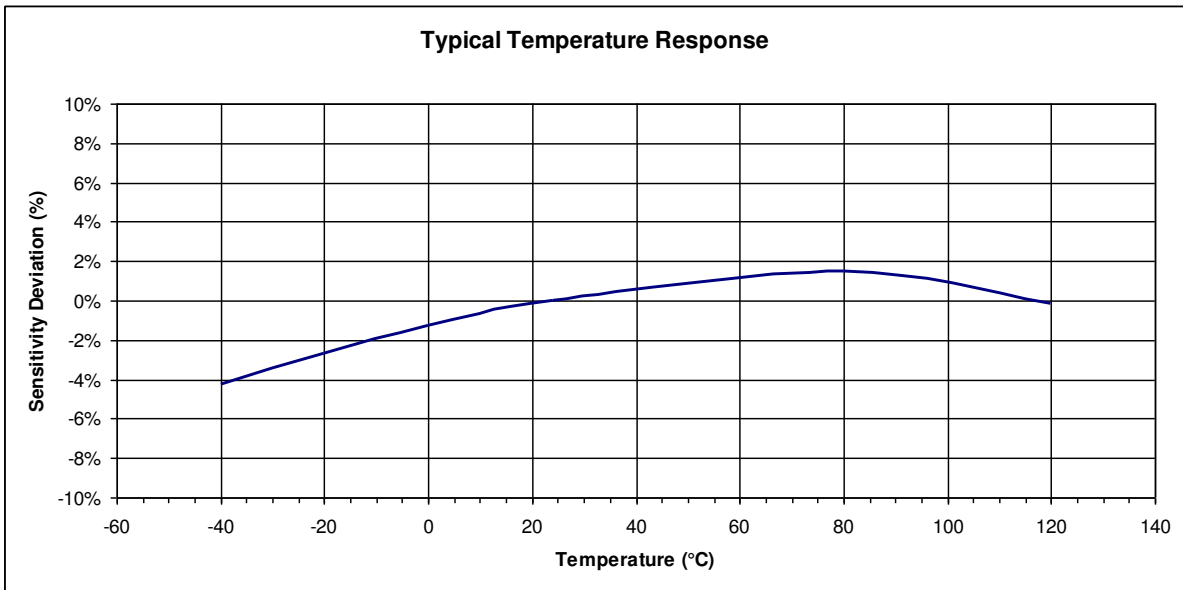
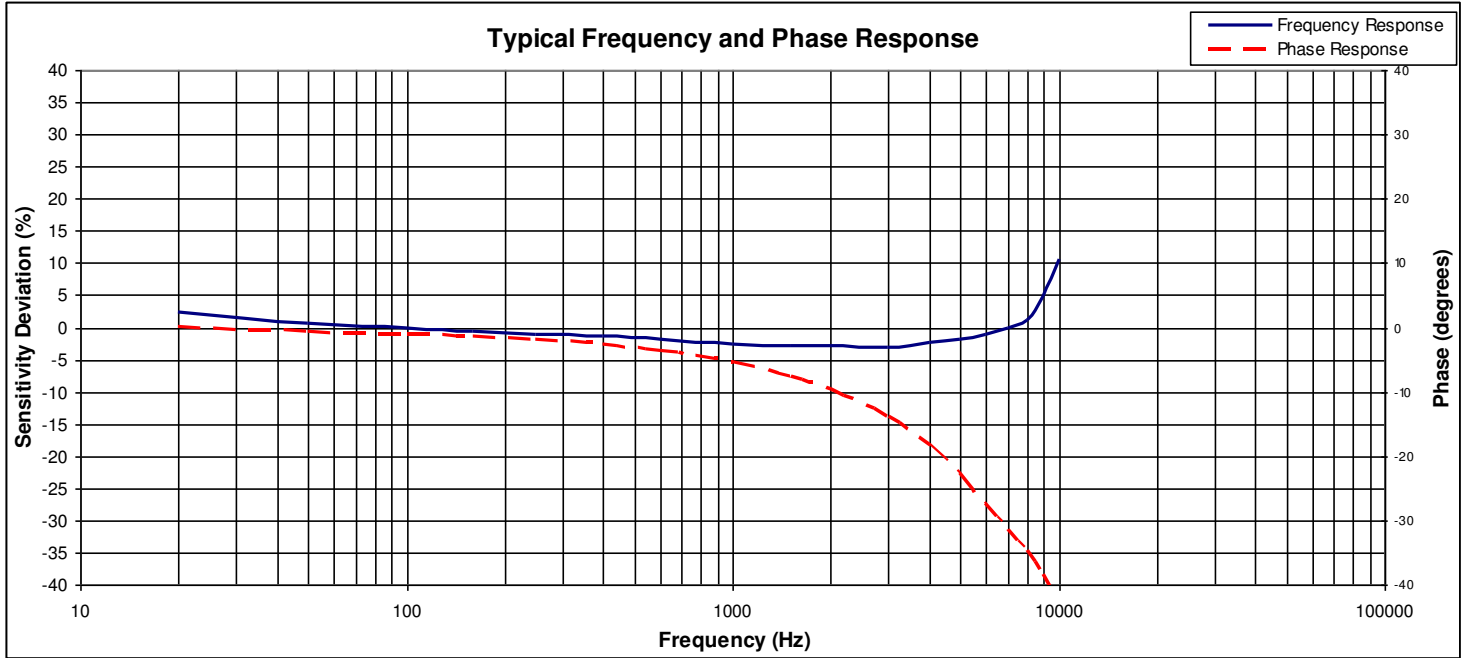
**PHYSICAL**

Sensing Element	Ceramic (shear mode)
Case Material	Stainless Steel
Electrical Connector	10-32 Coaxial Receptacle
Weight (grams)	3.6
Mounting	Adhesive

**Calibration supplied:** CS-FREQ-0100 NIST Traceable Amplitude Calibration from 20Hz to ±2dB Frequency Response Limit

**Optional accessories:** 310-XXX Cable Assembly, 10-32 to 10-32 (XXX designates length in inches, 10ft standard)  
 314-XXX Cable Assembly, 10-32 to BNC (XXX designates length in inches, 10ft standard)  
 161A 4-Channel PE & IEPE Signal Conditioner

The information in this sheet has been carefully reviewed and is believed to be accurate; however, no responsibility is assumed for inaccuracies. Furthermore, this information does not convey to the purchaser of such devices any license under the patent rights to the manufacturer. Measurement Specialties, Inc. reserves the right to make changes without further notice to any product herein. Measurement Specialties, Inc. makes no warranty, representation or guarantee regarding the suitability of its product for any particular purpose, nor does Measurement Specialties, Inc. assume any liability arising out of the application or use of any product or circuit and specifically disclaims any and all liability, including without limitation consequential or incidental damages. Typical parameters can and do vary in different applications. All operating parameters must be validated for each customer application by customer's technical experts. Measurement Specialties, Inc. does not convey any license under its patent rights nor the rights of others.



## ORDERING INFORMATION

PART NUMBERING    Model Number+Range

7108A-GGGG

  |  
  | \_\_\_\_\_ Range (0050 is 50g)

Example: 7108A-0050  
          Model 7108A, 50g

The information given herein, including drawings, illustrations and schematics which are intended for illustration purposes only, is believed to be reliable. However, TE Connectivity makes no warranties as to its accuracy or completeness and disclaims any liability in connection with its use. TE Connectivity's obligations shall only be as set forth in TE Connectivity's Standard Terms and Conditions of Sale for this product and in no case will TE Connectivity be liable for any incidental, indirect or consequential damages arising out of the sale, resale, use or misuse of the product. Users of TE Connectivity products should make their own evaluation to determine the suitability of each such product for the specific application.