



**m/s<sup>2</sup>** 732A and 732AT  
High frequency accelerometers

**SPECIFICATIONS**

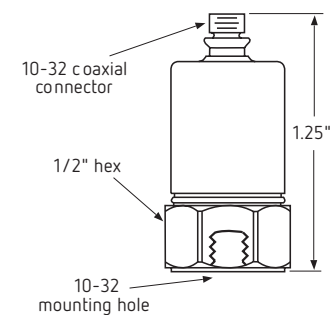
<b>Sensitivity, ± 5%, 25°C</b>		10 mV/g
<b>Acceleration range</b>		500 g peak
<b>Amplitude nonlinearity</b>		1%
<b>Frequency response:</b>	<b>± 5%</b>	2.0 - 15,000 Hz
	<b>± 3 dB</b>	0.5 - 25,000 Hz
<b>Resonance frequency</b>		60 kHz
<b>Transverse sensitivity, max</b>		7% of axial
<b>Temperature response:</b>	<b>-50°C</b>	-10%
	<b>+120°C</b>	+5%
<b>Power requirement:</b>		
<b>Voltage source</b>		18 - 30 VDC
<b>Current regulating diode</b>		2 - 10 mA
<b>Electrical noise, equiv. g:</b>		
<b>Broadband</b>	<b>2.5 Hz to 25 kHz</b>	200 µg
<b>Spectral</b>	<b>10 Hz</b>	20 µg/√Hz
	<b>100 Hz</b>	3 µg/√Hz
	<b>1,000 Hz</b>	2 µg/√Hz
	<b>10,000 Hz</b>	2 µg/√Hz
<b>Output impedance, max</b>		100 Ω
<b>Bias output voltage</b>		10 VDC
<b>Grounding</b>		case grounded
<b>Temperature range</b>		-50° to +120°C
<b>Vibration limit</b>		500 g peak
<b>Shock limit</b>		5,000 g peak
<b>Electromagnetic sensitivity, equiv. g</b>		100 µg/gauss
<b>Base strain sensitivity</b>		0.005 g/µstrain
<b>Sensing element design</b>		PZT ceramic / compression
<b>Weight</b>		13 grams
<b>Case material</b>		316L stainless steel
<b>Mounting</b>		10-32 tapped hole
<b>Output connector</b>		10-32 coaxial
<b>Mating connector</b>		R1
<b>Recommended cabling</b>		J93

Accessories supplied: SF1 mounting stud (metric mounting available); calibration data (level 3)

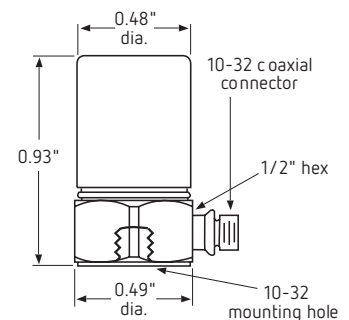


**Key features**

- Compact size
- Wide dynamic range
- Manufactured in ISO 9001 facility



Model 732A T



Model 732A

Connections	
Function	Connector pin / cable conductor
power/signal	pin / center
common	shell / shield



Note: Due to continuous process improvement, specifications are subject to change without notice. This document is cleared for public release.

The information provided herein is to the best of our knowledge true and accurate, it is provided for guidance only. All specifications are subject to change without prior notification.

Althen – Your expert partner in Sensors & Controls | [althensensors.com](http://althensensors.com)

Althen stands for pioneering measurement and custom sensor solutions. In addition we offer services such as calibration, design & engineering, training and renting of measurement equipment.

Germany / Austria / Switzerland  
info@althen.de

Benelux  
sales@althen.nl

France  
info@althensensors.fr

Sweden  
info@althensensors.se

USA / Canada  
info@althensensors.com

Other countries  
info@althensensors.com