



**m/s<sup>2</sup>** 786F  
Integral cable accelerometer

**SPECIFICATIONS**

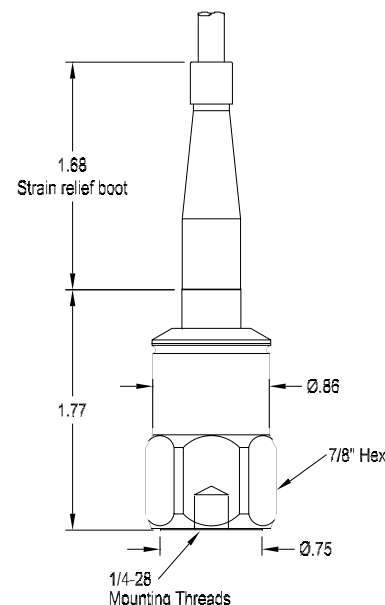
<b>Sensitivity, ±5%, 25°C</b>		100 mV/g
<b>Acceleration range</b>		80 g peak
<b>Amplitude nonlinearity</b>		1%
<b>Frequency response, nominal:</b>	<b>±10%</b>	1 - 8,000 Hz
	<b>±3 dB</b>	0.5 - 13,000 Hz
<b>Resonance frequency</b>		30 kHz
<b>Transverse sensitivity, max</b>		5% of axial
<b>Temperature response:</b>	<b>-50°C</b>	-5%
	<b>+120°C</b>	+5%
<b>Power requirement:</b>		
Voltage source		18 - 30 VDC
Current regulating diode		2 - 10 mA
<b>Electrical noise, equiv. g:</b>		
Broadband	<b>2.5 Hz to 25 kHz</b>	700 µg
Spectral	<b>10 Hz</b>	10 µg/√Hz
	<b>100 Hz</b>	5 µg/√Hz
	<b>1,000 Hz</b>	5 µg/√Hz
<b>Output impedance, max</b>		100 Ω
<b>Bias output voltage</b>		12 VDC
<b>Grounding</b>		case isolated, internally shielded
<b>Temperature range</b>		-50° to +120°C
<b>Vibration limit</b>		500 g peak
<b>Shock limit, min</b>		5,000 g peak
<b>Electromagnetic sensitivity, equiv. g, max</b>		70 µg/gauss
<b>Sealing</b>		hermetic
<b>Base strain sensitivity, max</b>		0.0002 g/µstrain
<b>Hydrostatic pressure</b>		100 psi
<b>Sensing element design</b>		PZT ceramic / shear
<b>Weight</b>		90 grams (excluding cable)
<b>Case material</b>		316L stainless steel
<b>Mounting</b>		1/4-28 UNF tapped hole
<b>Integral cabling</b>		J9T2A, 16 ft., blunt cut

Accessories supplied: SF6 mounting stud; calibration data (level 2)



**Key features**

- Certified versions available for use in hazardous areas
- Usable in submerged applications up to 30 ft.
- Manufactured in ISO 9001 facility



Connections	
Function	Cable conductor
power/signal	white
common	black
case	shield



Note: Due to continuous process improvement, specifications are subject to change without notice. This document is cleared for public release.

The information provided herein is to the best of our knowledge true and accurate, it is provided for guidance only. All specifications are subject to change without prior notification.

Althen – Your expert partner in Sensors & Controls | [althensensors.com](http://althensensors.com)

Althen stands for pioneering measurement and custom sensor solutions. In addition we offer services such as calibration, design & engineering, training and renting of measurement equipment.