



**m/s<sup>2</sup>** 787A-M8-IS  
Intrinsically safe accelerometer

**SPECIFICATIONS**

<b>Sensitivity, ±5%, 25°C</b>	100 mV/g
<b>Acceleration range</b>	80 g peak
<b>Amplitude nonlinearity</b>	1%
<b>Frequency response:</b>	
±10%	1.0 - 5,000 Hz
±3 dB	0.7 - 10,000 Hz
<b>Resonance frequency, mounted, min</b>	22 kHz
<b>Transverse sensitivity, max</b>	5% of axial
<b>Temperature response:</b>	
-55°C	-20%
+120°C	+10%
<b>Power requirement:</b>	
Voltage source	18 - 28 VDC
Current regulating diode	2 - 10 mA
<b>Electrical noise, equiv. g, nominal:</b>	
Broadband 2.5 Hz to 25 kHz	700 µg
Spectral 10 Hz	10 µg/√Hz
100 Hz	5 µg/√Hz
1,000 Hz	5 µg/√Hz
<b>Output impedance, max</b>	100 Ω
<b>Bias output voltage, nominal</b>	12 VDC
<b>Grounding</b>	case isolated, internally shielded
<b>Temperature range</b>	-55° to +120°C
<b>Vibration limit</b>	500 g peak
<b>Shock limit, min</b>	5,000 g peak
<b>Electromagnetic sensitivity, equiv. g, max</b>	70 µg/gauss
<b>Sealing</b>	hermetic
<b>Base strain sensitivity, max</b>	0.002 g/µstrain
<b>Weight</b>	145 grams
<b>Case material</b>	316L stainless steel
<b>Mounting</b>	M8 captive hex head screw with 0.046" diameter safety wire hole
<b>Output connector</b>	2 pin, MIL-C-5015 style
<b>Mating connector</b>	R6 type
<b>Recommended cabling</b>	J10 / J9T2A

Accessories supplied: SCM8125 captive hex head screw; calibration data

**Certifications**

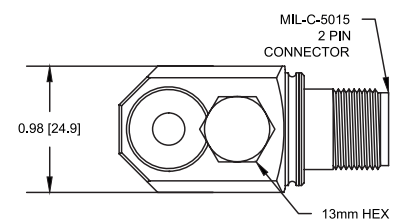
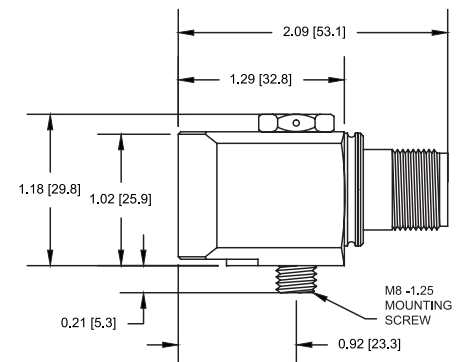
	Class I, Div 1 Groups A, B, C, D		II 1 G	
	Class II, Div 1 Groups E, F, G		Ex ia IIC T4 Ga	
	Class III		Ta = -50°C to 120°C	
	Class I Zone 0 AEx/Ex ia IIC T4		Ta = -50°C to 120°C	

Must be installed per document 12879. For application in explosive atmospheres caused by gases, vapours or mists and where the use of apparatus of category 1G is required, electrostatic charges on the cable and non-metallic parts of the enclosure shall be avoided. The ambient temperature range for these applications is -40°C to +80°C.



**Key features**

- Hazardous area certified - intrinsically safe
- API 670 compliant
- Manufactured in ISO 9001 facility



Connections	
Function	Connector pin / cable conductor color
power/signal	A / white
common	B / black
ground	shell / shield

Note: Due to continuous process improvement, specifications are subject to change without notice. This document is cleared for public release.

The information provided herein is to the best of our knowledge true and accurate, it is provided for guidance only. All specifications are subject to change without prior notification.

Althen – Your expert partner in Sensors & Controls | [althensensors.com](http://althensensors.com)

Althen stands for pioneering measurement and custom sensor solutions. In addition we offer services such as calibration, design & engineering, training and renting of measurement equipment.

Germany/Austria/Switzerland  
info@althen.de

Benelux  
sales@althen.nl

France  
info@althensensors.fr

Sweden  
info@althensensors.se

USA/Canada  
info@althensensors.com

Other countries  
info@althensensors.com