



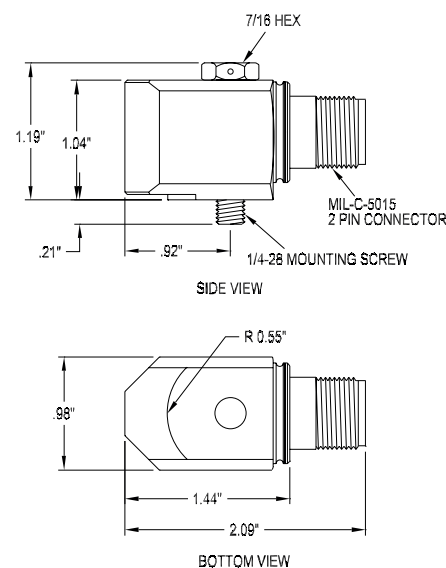
m/s² **787B**
General purpose accelerometer

SPECIFICATIONS

| | | |
|---|------------------|--|
| Sensitivity, ±10%, 25°C | | 100 mV/g |
| Acceleration range | | 80 g peak |
| Amplitude nonlinearity | | 1% |
| Frequency response: | ±10% | 1.0 - 5,000 Hz |
| | ±3 dB | 0.7 - 10,000 Hz |
| Resonance frequency | | 22 kHz |
| Transverse sensitivity, max | | 5% of axial |
| Temperature response: | -25°C | -10% |
| | +120°C | +10% |
| Power requirement: | | |
| Voltage source | | 18 - 30 VDC |
| Current regulating diode | | 2 - 10 mA |
| Electrical noise, equiv. g: | | |
| Broadband | 2.5 Hz to 25 kHz | 700 µg |
| Spectral | 10 Hz | 10 µg/√Hz |
| | 100 Hz | 5 µg/√Hz |
| | 1,000 Hz | 5 µg/√Hz |
| Output impedance, max | | 100 Ω |
| Bias output voltage | | 12 VDC |
| Grounding | | case isolated, internally shielded |
| Temperature range | | -50° to +120°C |
| Vibration limit | | 500 g peak |
| Shock limit, min | | 5,000 g peak |
| Electromagnetic sensitivity, equiv. g, max | | 70 µg/gauss |
| Sealing | | hermetic |
| Base strain sensitivity, max | | 0.002 g/µstrain |
| Sensing element design | | PZT ceramic / shear |
| Weight | | 145 grams |
| Case material | | 316L stainless steel |
| Mounting | | 1/4-28 captive hex head screw, 0.046" diameter safety wire hole |
| Output connector | | 2 pin, MIL-C-5015 style |
| Mating connector | | R6 type |
| Recommended cabling | | J10 / J9T2A |

Key features

- Variety of connector options available
- Low profile
- Manufactured in ISO 9001 facility



| Connections | |
|--------------|---------------------------------------|
| Function | Connector pin / cable conductor color |
| power/signal | A / white |
| common | B / black |
| ground | shell / shield |



Note: Due to continuous process improvement, specifications are subject to change without notice. This document is cleared for public release.

The information provided herein is to the best of our knowledge true and accurate, it is provided for guidance only. All specifications are subject to change without prior notification.

Althen – Your expert partner in Sensors & Controls | althensensors.com

Althen stands for pioneering measurement and custom sensor solutions. In addition we offer services such as calibration, design & engineering, training and renting of measurement equipment.

Germany / Austria / Switzerland
info@althen.de

Benelux
sales@althen.nl

France
info@althensensors.fr

Sweden
info@althensensors.se

USA / Canada
info@althensensors.com

Other countries
info@althensensors.com