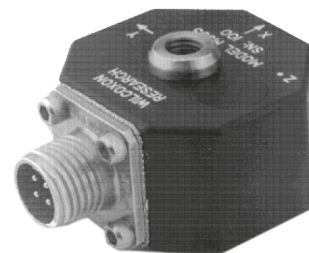




**993A**  
General purpose triaxial accelerometer

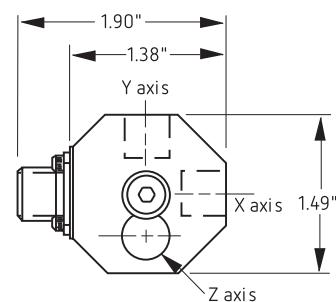


**Key features**

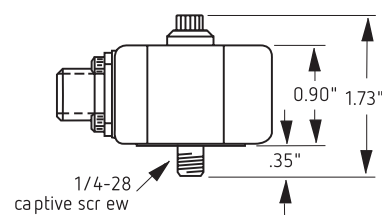
- Triaxial measurements provide more data from a single sensor
- Manufactured in ISO 9001 facility

**SPECIFICATIONS**

<b>Sensitivity, ±10%, 25°C</b>	100 mV/g	
<b>Acceleration range</b>	50 g peak	
<b>Amplitude nonlinearity</b>	1%	
<b>Frequency response:</b>		
<b>all channels, ±10%</b>	2 - 2,000 Hz	
<b>Transverse sensitivity, max</b>	5% of axial	
<b>Temperature response:</b>	-50°C	+10%
	+25°C	0%
	+80°C	+3%
	+120°C	-7%
<b>Power requirement:</b>		
<b>Voltage source</b>	18 - 30 VDC	
<b>Current regulating diode</b>	2 - 10 mA	
<b>Electrical noise, equiv. g:</b>		
<b>Broadband</b>	2.5 Hz to 25 kHz	150 µg
<b>Spectral</b>	10 Hz	20 µg/√Hz
	100 Hz	2 µg/√Hz
	1,000 Hz	0.6 µg/√Hz
<b>Output impedance, max</b>	100 Ω	
<b>Bias output voltage</b>	12 VDC	
<b>Grounding</b>	case isolated, internally shielded	
<b>Temperature range</b>	-50° to +120°C	
<b>Vibration limit</b>	500 g peak	
<b>Shock limit</b>	5,000 g peak	
<b>Electromagnetic sensitivity, equiv. g</b>	100 µg/gauss	
<b>Sealing</b>	epoxy	
<b>Base strain sensitivity</b>	0.0005 g/µstrain	
<b>Sensing element design</b>	PZT ceramic / shear	
<b>Weight</b>	88 grams	
<b>Case material</b>	hardcoated aluminum	
<b>Mounting</b>	1/4-28 captive socket head screw	
<b>Output connector</b>	4 pin, Bendix PC02A-8-4P	
<b>Mating connector</b>	R9W	
<b>Recommended cabling</b>	J9T4	



Top view



Side View

Connections	
Function	Connector pin
axis Y, power/signal	A
axis X, power/signal	B
axis Z, power/signal	C
common (all channels)	D
N/C	shell



Note: Due to continuous process improvement, specifications are subject to change without notice. This document is cleared for public release.

The information provided herein is to the best of our knowledge true and accurate, it is provided for guidance only. All specifications are subject to change without prior notification.

Althen – Your expert partner in Sensors & Controls | [althensensors.com](http://althensensors.com)

Althen stands for pioneering measurement and custom sensor solutions. In addition we offer services such as calibration, design & engineering, training and renting of measurement equipment.