



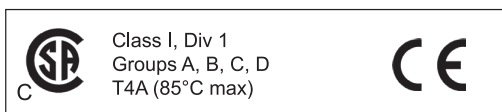
m/s² 993B-7-33
CSA certified triaxial accelerometer

SPECIFICATIONS

Sensitivity, ±10%, 25°C	100 mV/g
Acceleration range	40 g peak
Amplitude nonlinearity	1%
Frequency response: Z axis, ±3 dB	2 - 10,000 Hz
X and Y axes, ±3 dB	2 - 7,000 Hz
Transverse sensitivity, max	7% of axial
Power requirement:	
Voltage source	18 - 30 VDC
Current regulating diode	2 - 5 mA
Electrical noise, equiv. g, nominal:	
Broadband 2.5 Hz to 25 kHz	160 µg
Spectral 10 Hz	10 µg/√Hz
100 Hz	1.4 µg/√Hz
1,000 Hz	1.0 µg/√Hz
Output impedance, max	400 Ω
Bias output voltage, nominal	11 VDC
Grounding	case isolated, internally shielded
Turn-on time	<1 sec
Temperature range	-50° to +120°C
Vibration limit	500 g peak
Shock limit	5,000 g peak
Electromagnetic sensitivity, equiv. g	100 µg/gauss
Sealing	hermetic
Base strain sensitivity, max	0.0005 g/µstrain
Hydrostatic pressure, max	100 psi
Weight (excluding cable)	134 grams
Case material	316L stainless steel
Mounting ¹	1/4-28 captive screw
Cable	integral, 16 ft., gray, 3 pair, individually shielded

Notes: ¹ Options: 10-32 captive screw; M6-1 captive screw; cable length and connectors.
Accessories supplied: 1/4-28 captive screw; calibration data

Certifications

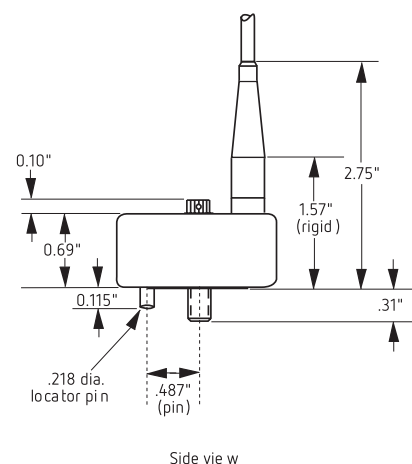
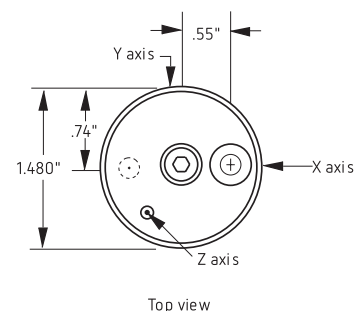


Note: Due to continuous process improvement, specifications are subject to change without notice. This document is cleared for public release.



Key features

- Hazardous area certified - intrinsically safe
- Manufactured in ISO 9001 facility



Connections	
Function	Cable conductor color
X axis, power/signal	green
Y axis, power/signal	red
Z axis, power/signal	white
common (all channels)	black
N/C	shield

Version | 11/2019