



731A
Ultra quiet, ultra low-frequency accelerometer

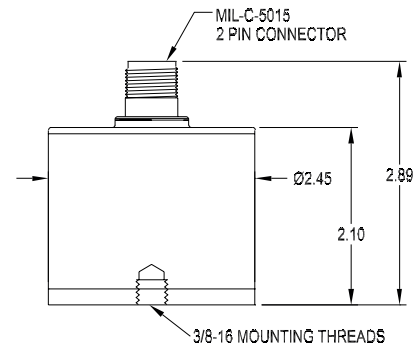
SPECIFICATIONS

Sensitivity, ±10%, 25°C		10 V/g
Acceleration range		0.5 g peak
Amplitude nonlinearity		1%
Frequency response:	±10%	0.10 - 300 Hz
	±3 dB	0.05 - 450 Hz
Resonance frequency		750 Hz
Transverse sensitivity, max		1% of axial
Temperature response:	-10°C	-12%
	+65°C	+5%
Power requirement:		
Voltage source		18 - 30 VDC
Current regulating diode		2 - 10 mA
Electrical noise, equiv. g:		
Broadband	2.5 Hz to 25 kHz	0.5 µg
Spectral	2 Hz	0.03 µg/√Hz
	10 Hz	0.01 µg/√Hz
	100 Hz	0.004 µg/√Hz
Output impedance, max		100 Ω
Bias output voltage		9 VDC
Grounding		case isolated
Temperature range		-10° to +65°C
Vibration limit		10 g peak
Shock limit		fragile
Electromagnetic sensitivity at 60 Hz		20 µg/gauss
Sealing		hermetic
Base strain sensitivity, max		0.0001 g/µstrain
Sensing element design		PZT ceramic / flexure
Weight		760 grams
Case material		316L stainless steel
Mounting		3/8-16 tapped hole
Output connector		2 pin, MIL-C-5015 style
Mating connector		R6 type
Recommended cabling		J9 / J9T2A



Key features

- Ultra low-noise electronics for clear signals at sub-µg levels
- Ultra high sensitivity
- Manufactured in ISO 9001 facility



Connections	
Function	Connector pin
power/signal	A
common	B
ground	shell



Note: Due to continuous process improvement, specifications are subject to change without notice. This document is cleared for public release.

The information provided herein is to the best of our knowledge true and accurate, it is provided for guidance only. All specifications are subject to change without prior notification.

Althen – Your expert partner in Sensors & Controls | althensensors.com

Althen stands for pioneering measurement and custom sensor solutions. In addition we offer services such as calibration, design & engineering, training and renting of measurement equipment.

Germany/Austria/Switzerland
info@althen.de

Benelux
sales@althen.nl

France
info@althensensors.fr

Sweden
info@althensensors.se

USA/Canada
info@althensensors.com

Other countries
info@althensensors.com