



m/s² **786-500**
Low-frequency accelerometer

SPECIFICATIONS

Sensitivity, ±5%, 25°C		500 mV/g
Acceleration range, VDC > 22 V		10 g peak
Amplitude nonlinearity		1%
Frequency response¹:	±5%	0.7 - 5,000 Hz
	±10%	0.5 - 9,000 Hz
	±3 dB	0.2 - 14,000 Hz
Resonance frequency		30 kHz
Transverse sensitivity, max		5% of axial
Temperature response:	-25°C	-10%
	+120°C	+10%
Power requirement:		
Voltage source		18 - 30 VDC
Current regulating diode		2 - 10 mA
Electrical noise, equiv. g¹:		
Broadband	2.5 Hz to 25 kHz	250 µg
Spectral	10 Hz	2.5 µg/√Hz
	100 Hz	1.5 µg/√Hz
	1,000 Hz	1.5 µg/√Hz
Output impedance, max		300 Ω
Bias output voltage		12 VDC
Grounding		case isolated, internally shielded
Temperature range		-50° to +120°C
Vibration limit		500 g peak
Shock limit		5,000 g peak
Electromagnetic sensitivity, equiv. g, max		70 µg/gauss
Sealing		hermetic
Base strain sensitivity, max		0.0002 g/µstrain
Sensing element design		PZT, shear
Weight		90 grams
Case material		316L stainless steel
Mounting		1/4-28 UNF tapped hole
Mating connector		R6 type
Recommended cabling		J10 / J9T2A

Notes: ¹ Frequency response limits and spectral noise values are typical.
Accessories supplied: SF6 mounting stud (metric mounting available); calibration data (level 2)

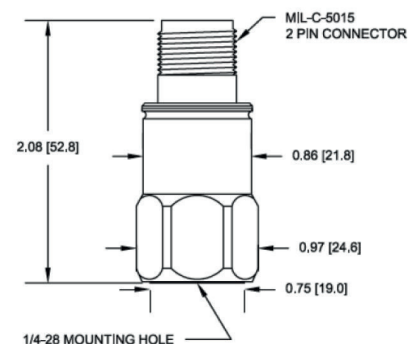


Note: Due to continuous process improvement, specifications are subject to change without notice. This document is cleared for public release.



Key features

- Clear signals at low vibration levels
- Certified versions available for use in hazardous areas
- Ideal for slow-speed machinery
- Manufactured in ISO 9001 facility



Connections	
Function	Connector pin
power/signal	A
common	B
ground	shell

Version | 11/2019