



**m/s<sup>2</sup>** 799LF  
Low-frequency, filtered accelerometer

**SPECIFICATIONS**

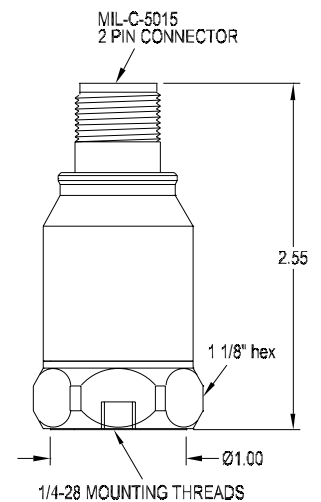
<b>Sensitivity, ±5%, 25°C</b>		500 mV/g
<b>Acceleration range</b>		10 g peak
<b>Amplitude nonlinearity</b>		1%
<b>Frequency response:</b>	<b>±5%</b>	0.3 - 1,200 Hz
	<b>±10%</b>	0.2 - 1,600 Hz
	<b>±3 dB</b>	0.1 - 2,500 Hz
<b>Resonance frequency</b>		18 kHz
<b>Transverse sensitivity, max</b>		5% of axial
<b>Temperature response:</b>	<b>-50°C</b>	-7%
	<b>+120°C</b>	+5%
<b>Power requirement:</b>		
<b>Voltage source</b>		15 - 30 VDC
<b>Current regulating diode</b>		2 - 10 mA
<b>Electrical noise, equiv. g:</b>		
<b>Spectral</b>	<b>0.1 Hz</b>	15 µg/√Hz
	<b>1 Hz</b>	3 µg/√Hz
	<b>10 Hz</b>	1 µg/√Hz
	<b>100 Hz</b>	1 µg/√Hz
<b>Output impedance, max</b>		400 Ω
<b>Bias output voltage</b>		8.0 VDC
<b>Grounding</b>		case isolated, internally shielded
<b>Temperature range</b>		-50° to +120°C
<b>Vibration limit</b>		250 g peak
<b>Shock limit</b>		5,000 g peak
<b>Electromagnetic sensitivity, equiv. g</b>		150 µg/gauss
<b>Sealing</b>		hermetic
<b>Base strain sensitivity, max</b>		0.0005 g/µstrain
<b>Sensing element design</b>		PZT ceramic / shear
<b>Weight</b>		205 grams
<b>Case material</b>		316L stainless steel
<b>Mounting</b>		1/4-28 tapped hole
<b>Output connector</b>		2 pin, MIL-C-5015 style
<b>Mating connector</b>		R6 type

Accessories supplied: SF6 mounting stud; calibration data (level 3)



**Key features**

- Ultra low noise
- Optimized for 15 V supply
- Available with M12 connector
- Manufactured in ISO 9001 facility



PIN-OUT

Connections	
Function	Connector pin
power/signal	A
common	B
ground	shell



Note: Due to continuous process improvement, specifications are subject to change without notice. This document is cleared for public release.