

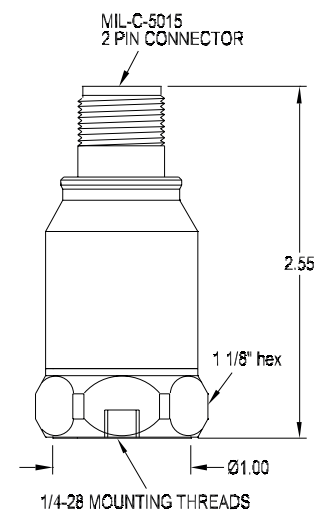


799M
High sensitivity, filtered accelerometer



Key features

- High sensitivity, ultra low noise
- Manufactured in ISO 9001 facility



Connections	
Function	Connector pin
power/signal	A
common	B
ground	shell

SPECIFICATIONS

Sensitivity, ±5%, 25°C	1 V/g	
Acceleration range	5 g peak	
Amplitude nonlinearity	1%	
Frequency response:	±5%	0.6 - 1,200 Hz
	±10%	0.4 - 1,600 Hz
	±3 dB	0.2 - 2,500 Hz
Resonance frequency	18 kHz	
Transverse sensitivity, max	5% of axial	
Temperature response:	-50°C	-7%
	+80°C	+5%
Power requirement:		
Voltage source	15 - 30 VDC	
Current regulating diode	2 - 10 mA	
Electrical noise, equiv. g:		
Spectral	0.1 Hz	15 µg
	1 Hz	3 µg/√Hz
	10 Hz	1 µg/√Hz
	100 Hz	1 µg/√Hz
Output impedance, max	400 Ω	
Bias output voltage	8.0 VDC	
Grounding	case isolated, internally shielded	
Temperature range	-50° to +80°C	
Vibration limit	250 g peak	
Shock limit	5,000 g peak	
Electromagnetic sensitivity, equiv. g	150 µg/gauss	
Sealing	hermetic	
Base strain sensitivity, max	0.0005 g/µstrain	
Sensing element design	PZT, shear	
Weight	205 grams	
Case material	316L stainless steel	
Mounting	1/4-28 tapped hole	
Output connector	2 pin, MIL-5015 style	
Mating connector	R6 type	
Recommended cabling	J9T2A	

Accessories supplied: SF6 mounting stud (metric mounting available; calibration data (level 3))



Note: Due to continuous process improvement, specifications are subject to change without notice. This document is cleared for public release.