



793V SERIES

Piezovelocity transducers

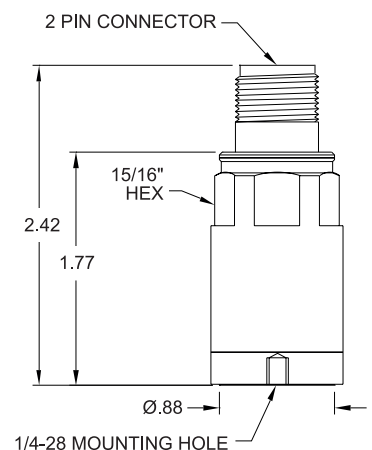
SPECIFICATIONS

		793V	793V-5
Sensitivity, ±10%¹, 25°C		100 mV/in/sec	500 mV/in/sec
Velocity range		50 in/sec peak	10 in/sec peak
Amplitude nonlinearity		2.5%	5%
Frequency response:	±10%	3.0 - 3,500 Hz	8.0 - 3,500 Hz
	±3 dB	2.5 - 7,000 Hz	5.0 - 7,000 Hz
Resonance frequency, mounted, nominal		15 kHz	15 kHz
Transverse sensitivity, max		5% of axial	5% of axial
Temperature response:	-50°C	-5%	-5%
	+80°C	+3%	+3%
	+120°C	-5%	-5%
Power requirement:	Voltage source	18 - 30 VDC	18 - 30 VDC
	Current regulating diode	2 - 10 mA	2 - 10 mA
Electrical noise, equiv. in/sec, nominal:			
Broadband	2.5 Hz to 25 kHz	100 µin/sec	40 µin/sec
Spectral	10 Hz	10 µin/sec/√Hz	4.0 µin/sec/√Hz
	100 Hz	1.0 µin/sec/√Hz	0.4 µin/sec/√Hz
	1,000 Hz	0.2 µin/sec/√Hz	0.05 µin/sec/√Hz
Output impedance, nominal 4 mA supply		200 Ω	200 Ω
Bias output voltage, nominal		10 VDC	10 VDC
Grounding		case isolated, internally shielded	
Temperature range		-50° to +120°C	-50° to +120°C
Vibration limit		250 g peak	250 g peak
Shock limit		2,500 g peak	2,500 g peak
Electromagnetic sensitivity, equiv. in/sec		25 µin/sec/gauss	25 µin/sec/gauss
Sealing		hermetic	hermetic
Base strain sensitivity		0.0005 in/sec/µstrain	0.0005 in/sec/µstrain
Weight		145 grams	145 grams
Case material		316L stainless steel	316L stainless steel
Mounting		1/4-28 tapped hole	1/4-28 tapped hole
Output connector		2 pin, MIL-C-5015	2 pin, MIL-C-5015
Mating connector		R6	R6
Recommended cabling		J9T2	J9T2



Key features

- Intrinsically safe and radiation resistant options available for model 793V
- Available with ±5% sensitivity tolerance
- Manufactured in an ISO 9001 certified facility



Notes: ¹ For a 100 mV/ips sensor with ±5% sensitivity tolerance, order model 793V100-5.
Accessories supplied: SF6 mounting stud (metric mounting available); calibration data (level 3)

Certifications

All 793V models	793VE	793V-33	793V-35
	Class I, II, III, T4 Div 1 Groups A, B, C, D, E, F, G Div 2 Groups A, B, C, D, F, G	Class I, Div 1 Groups A, B, C, D	II 1 G Ex ia IIA T4 Ga Tamb: -50°C to 120°C

Connections	
Function	Connector pin
power/signal	A
common	B

Note: Due to continuous process improvement, specifications are subject to change without notice. This document is cleared for public release.