



N ALL Single Point Loadcell



LAUMAS[®]

Description

- Aluminum alloy
- Combined error = ±0.02% (0.017% c4; 0.014% c5)
- Protection class IP65



Capacity from 3 kg to 50 kg

CAPACITY	Kg	ACCURACY CLASS						PLATFORM DIMENSION	NET WEIGHT OF LOAD CELL	CODE
		C3	C4	C5						
3		•	•	•	•	•	250 x 350	0.2	ALL3	
5		•	•	•	•	•	250 x 350	0.2	ALL5	
10		•	•	•	•	•	250 x 350	0.2	ALL10	
15		•	•	•	•	•	250 x 350	0.2	ALL15	
20		•	•	•	•	•	250 x 350	0.2	ALL20	
30		•	•	•	•	•	250 x 350	0.2	ALL30	
50		•	•	•	•	•	250 x 350	0.2	ALL50	

Certifications



OIML R60 C3

CERTIFICATIONS ON REQUEST



ATEX II 1GD (zone 0-1-2-20-21-22)



IECEx (zone 0-1-2-20-21-22)



OIML R60 C4/C5



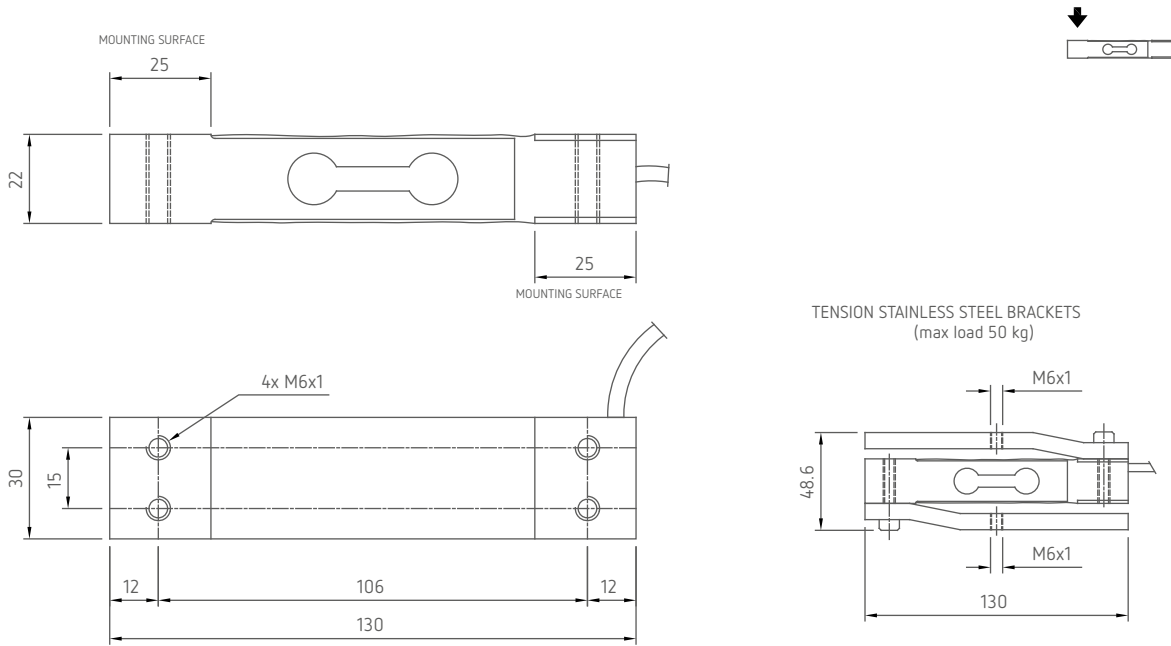
Complies with the Eurasian Custom Union regulations (Russia, Belarus, Kazakhstan)

Complementary accessories



DESCRIPTION	CODE
Pair of stainless steel tension brackets. Maximum static load: 50 kg	STAFFEALL

■ Dimensions (mm)



■ Technical features

Material	Aluminum alloy		
OIML R60 Accuracy class • Verification intervals	C3 • 3000	C4 • 4000	C5 • 5000
Nominal load (E max)	3 - 5 - 10 - 15 - 20 - 30 - 50 kg		
Minimum verification interval (V min)	E max / 10000	E max / 15000	E max / 20000
Combined error	≤±0.02%	≤±0.017%	≤±0.014%
Protection class	IP65		
Rated output	2 mV/V ±10%	Input resistance	409 Ω ±6
Temperature effect on zero	0.0017% °C	Output resistance	350 Ω ±3
Temperature effect on span	0.0014% °C	Zero balance	≤±2%
Compensated temperature range	-10 °C / +40 °C	Insulation resistance	≥5000 MΩ
Operating temperature range	-35 °C / +65 °C	Safe overload (% of full scale)	150%
Creep at nominal load in 30 minutes	0.015%	Ultimate overload (% of full scale)	300%
Max supply voltage without damage	18 V	Deflection at nominal load	0.5 mm

■ Electrical connections

Cable length	3 m
Cable diameter	3.8 mm
Cores	4 x 0.20 mm ²

