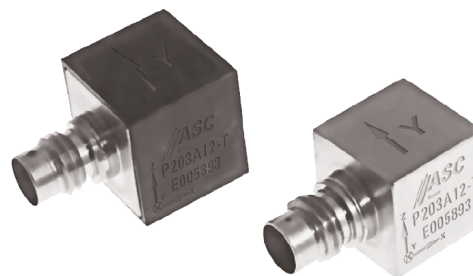




g ASC P203A11 / ASC P203A12
Miniature Triaxial Piezoelectric Accelerometer



ASC P203A11

ASC P203A12



SPECIFICATIONS

- Triaxial
- IEPE (Integrated Electronic Piezoelectric)
- Titanium Housing
- Voltage Output

FEATURES

- ±50g, ±100g, ±500g and ±2000g Dynamic Ranges
- Miniature Cube (6 grams)
- Wide Bandwidth (9kHz)
- Hermetically Sealed
- -55°C to +125°C Operating Range
- Shear Design
- TEDS

OPTIONS

- Case-Isolated Version (ASC P203A11)
- Customised Cable Length

APPLICATIONS

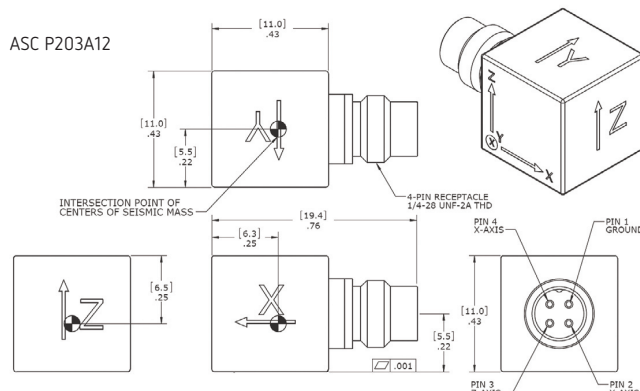
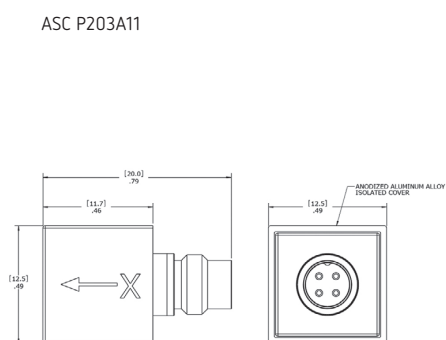
- Modal Analysis
- Automotive Testing
- Laboratory Testing
- General Purpose Vibration & Shock Monitoring
- Test & Measurement Applications
- High-Frequency Applications
- Structural Analysis Measurements

PIEZOELECTRIC IEPE TECHNOLOGY

ASC's Miniature Triaxial IEPE accelerometers are made of piezoelectric ceramics and are usable over a wide frequency range from 1Hz to 9kHz. The triaxial accelerometer is an IEPE (Integrated Electronics PiezoElectric) sensor that produces three simultaneous output voltages proportional to the input accelerations along X-, Y- and Z- axis. The sensor features three independent amplifiers that transform the high-impedance charge output from the piezoelectric ceramics (Lead Zirconate Titanate, PZT) into low-impedance voltage output that is suitable to drive long cables. ASC's miniature IEPE triaxial accelerometer operates on a 2-10mA constant-current supply and uses a four-wire cable for power input and signal output. The triaxial design incorporates three PZTs in annular shear mode where all three axes work independently, enabling single axial supply. This supply option provides the flexibility to power only one or two axes during uniaxial or biaxial

DESCRIPTION

ASC Type P203A12 is an analog voltage output sensor, which is designed for applications that demand compact triaxial sensors. The miniature size of this triaxial accelerometer enables simultaneous measurement of accelerations along three orthogonal axes of vibration on lightweight structures. The sensor is based on a piezoelectric annular shear design, which provides excellent immunity against base strain and temperature transients. ASC Type P203A12 features a rugged titanium housing that is light-weight, corrosion proof and chemical resistant. ASC Type P203A12 operates over a wide temperature range from -55°C to +125°C. The sensor incorporates a welded hermetic construction and can withstand shocks up to 5000g's. The industry standard 4-pin Microtech connector with side exit provides flexibility in mounting. ASC Type P203A11 is the case-isolated version, with anodised aluminium alloy isolation cover. Both sensors feature built-in TEDS.





TYPICAL SPECIFICATIONS

DYNAMIC

Measurement Range	±g	50	100	500	2000
Sensitivity (±15%)	mV/g	100	50	10	2.5
Full Scale Output	V		±5		
Frequency Response: (±10%)	Hz	2.5 to 8k	1.5 to 8k	1 to 8k	1 to 9k
Non-Linearity	%FSO		±1		
Resonance Frequency	kHz		43		
Transverse Sensitivity	%		<5		
Shock Limit	±g		5000		
Output Polarity	Acceleration in the direction of the arrow (see outline drawing) generates a positive output				

ELECTRICAL

Supply Voltage	V DC		18 to 30		
Supply Current	mA		2 to 10		
Bias Voltage	V DC		8 to 12 (room temperature) 6 to 13 (in full temperature range)		
Output Impedance	Ω		<100		
Isolation	ASC P203A11: Case Isolated ASC P203A12: Case Grounded				
Broadband Noise (2Hz to 30kHz)	mg (RMS)	0.4	0.5	1.2	3.2

ENVIRONMENTAL

Operating & Storage Temperature Range	°C		-55 to +125		
Protection Class / Sealing	IP 68 / Hermetic				

PHYSICAL

Sensing Element / Design	PZT / Shear				
Case Material	Titanium				
Connector	4-pin Microtech				
Mounting	Adhesive / Stud mount				
Mounting Thread	M2.5 x 0.45				
Weight (without cable)	gram		ASC P203A11: 7.3 ASC P203A12: 6		
Cable	4-pin, 1/4"-28 to 3xBNC Low-Noise TPE				

Note: $1g_n = 9.80665m/s^2$



TYPICAL SPECIFICATIONS

FACTORY CALIBRATION (SUPPLIED WITH THE SENSOR)

Measurement Range	50g	100g	500g	2000g
Sensitivity	200m/s ² @80Hz	200m/s ² @80Hz	200m/s ² @80Hz	200m/s ² @80Hz
Frequency Response	10Hz to 5kHz	10Hz to 5kHz	10Hz to 5kHz	10Hz to 6kHz

ORDERING INFORMATION

ASC P203A1Y	T	XX
Sensor Type	TEDS	Range
ASC Triaxial miniature IEPE accelerometer		51 ±50g
Y: 1 (Case isolated version; anodized aluminium isolation cover)		12 ±100g
Y: 2 (standard version; titanium housing)		52 ±500g
		23 ±2000g

Example: ASC P203A12-T52

ACCESSORIES

Cable Assembly for ASC Triaxial IEPE Accelerometers	
KPT	XXX
	Cable length in meters
Cable for Triaxial IEPE Accelerometers	
4-pin Microtech to 3x BNC	003: 3m
-55°C to +125°C	006: 6m
	009: 9m