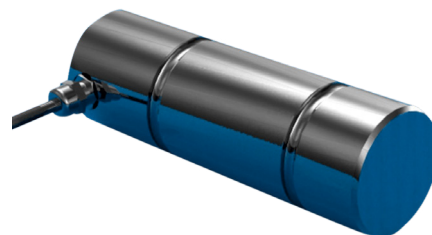




**kg ALP Series**

**Features**

- Ranges: 500kg to 1500 tonne
- Stainless steel construction
- Environmentally sealed to IP67
- Anti-rotation plate supplied if required
- Can be supplied with integral connector
- Versions available with integral conditioning providing 0-10v, 0.5v, 4-20mA, RS485 outputs
- Design support software available



**Description**

The Althen Sensors & Controls range of load measuring pins are designed for general use. They are a simple and versatile type of load cell that are used in a large variety of applications such as cranes, winches, hoists, load shackles and bearing blocks. They are easily installed into machines by replacing any existing load bearing pin to provide accurate, real time monitoring of load forces.

Machined from high tensile stainless steel and normally supplied complete with an anti-rotation plate, our load measuring pins are built to exacting standards and proof loaded to 150% of normal rated load. Our standard load pin range covers ratings between 500kgs and 1500 tonnes, and can be provided as shown on this data sheet or can be modified to meet a particular application requirement.

The ALP series can be supplied on its own or combined with our extensive range of instrumentation to provide a complete load monitoring system.

**Typical Applications**

- Crane overload protection
- Winch force monitoring
- Cable and wire dynamometers
- Hoist overload protection
- Mooring load tension measurement

**Available Options**

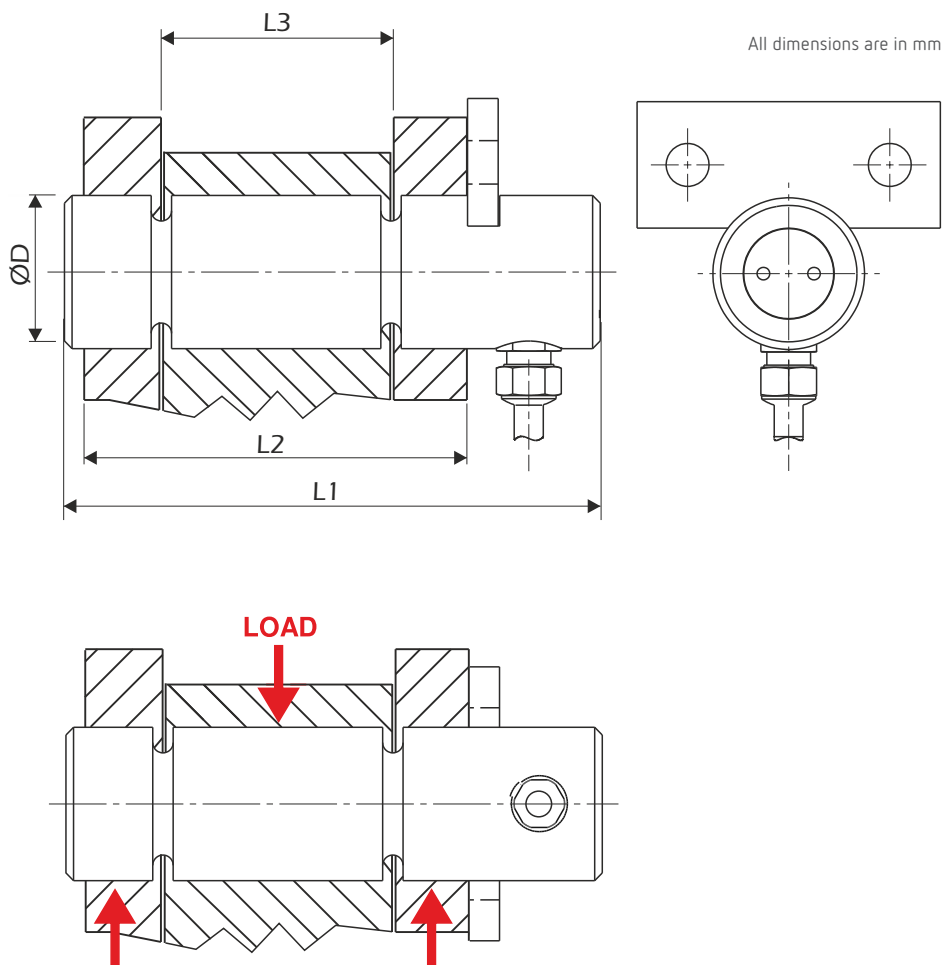
- Integral signal conditioning
- Special electrical connectors
- Anti-rotation plate
- TEDS option (when used with TR150 handheld display)
- Submersible versions available (see LPB datasheet)

**Specification**

Rated load (tonne)	0.5, 1, 2.5, 3.5, 6.5, 15, 25, 50, 100, 250, 500, 750, 1000, 1500	
Proof load	150% of rated load	
Ultimate breaking load	>300 % of rated load	
Output	1.5mV/V at rated load (nominal)	
Non-linearity	<±1.0% of rated load (typically)	
Non-repeatability	<±0.1% of rated load	
Excitation voltage	10vdc recommended, 15vdc maximum	
Bridge resistance	350Ω	
Insulation resistance	> 500MΩ @ 500vdc	
Operating temperature range	-20 to +70°C	
Compensated temperature range	-10 to +70°C	
Zero temperature coefficient	<±0.01% of rated load / °C	
Span temperature coefficient	<±0.01% of rated load / °C	
Environmental protection level	IP67	
Connection type	5 metre 4-core screened PUR cable	
Wiring connections	+ve supply: Red +ve signal: Green	-ve supply: Blue -ve signal: Yellow

11.2020 | version 0001

■ Dimensions



Rating (tonnes)	Part No.	ØD	L1	L2	L3	Weight (kgs)	Resolution (tonnes)
0.5	ALP-20-36	20	70	36	24	0.9	0.002
1	ALP-20-49	20	80	49	35	1	0.005
2.5	ALP-25-70	25	100	70	45	1.2	0.01
3.5	ALP-30-75	30	105	75	50	1.4	0.02
6.5	ALP-40-95	40	125	95	63	2	0.02
15	ALP-50-114	50	150	114	75	3.1	0.05
25	ALP-63-152	63	195	152	89	5.6	0.1
50	ALP-75-175	75	225	178	102	8.6	0.2
100	ALP-88-190	88	230	190	110	11.8	0.5
200	ALP-125-220(200)	125	300	220	130	29.8	1
250	ALP-125-220	125	300	220	130	29.8	1
500	ALP-170-370	170	440	370	225	79.2	2
750	ALP-200-500	200	590	500	295	146	2
1000	ALP-250-612	250	712	612	360	275	5
1500	ALP-275-731	275	832	731	430	389	5

The information provided herein is to the best of our knowledge true and accurate, it is provided for guidance only. All specifications are subject to change without prior notification.

Althen – Your expert partner in Sensors & Controls | [althensensors.com](http://althensensors.com)

Althen stands for pioneering measurement and custom sensor solutions. In addition we offer services such as calibration, design & engineering, training and renting of measurement equipment.

Germany/Austria/Switzerland  
info@althen.de

Benelux  
sales@althen.nl

France  
info@althensensors.fr

Sweden  
info@althensensors.se

USA/Canada  
info@althensensors.com

Other countries  
info@althensensors.com