



kg **CLBT**
Compression / Tension Load Cells



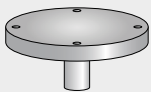
Manufactured according to OIML R60 standards
Capacity from 50 kg to 500 kg

FEATURES

- 50-100 kg: ALUMINIUM ALLOY (AVIONAL)
- 500 kg: 17-4 PH STAINLESS STEEL
- COMBINED ERROR $\leq \pm 0.05\%$
- PROTECTION CLASS IP65

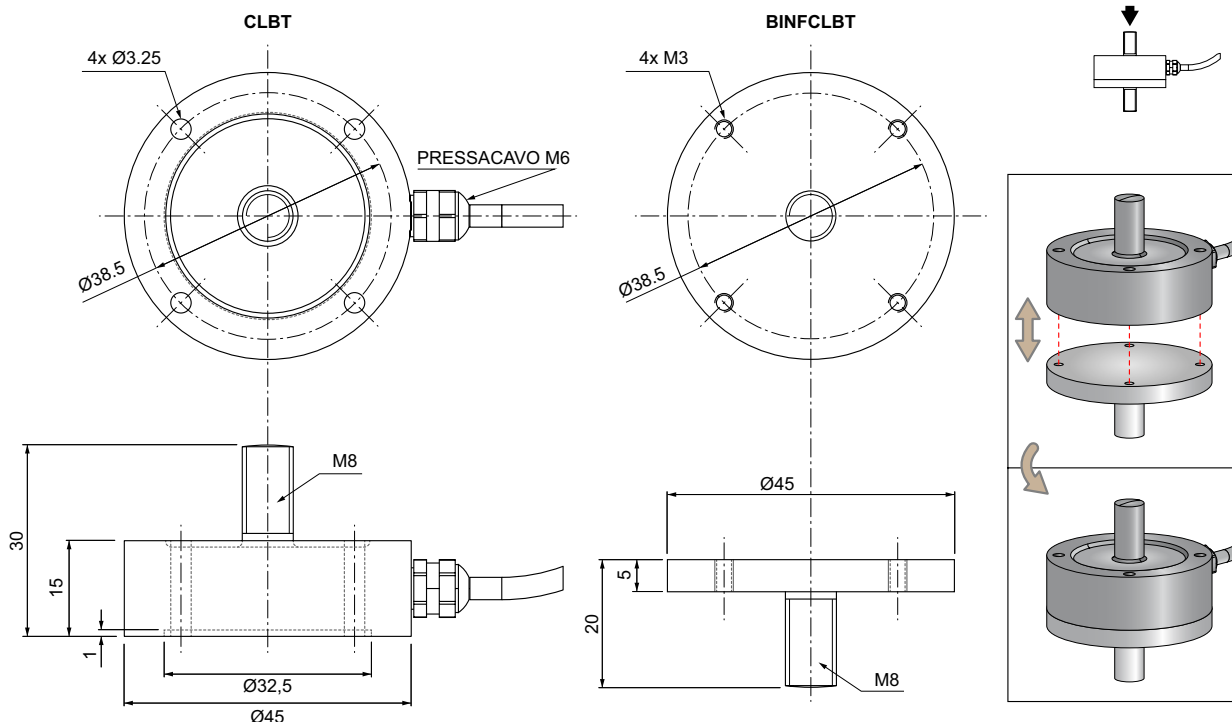
CAPACITY	kg	NET WEIGHT OF LOAD CELL (kg)	CODE
50		0,15	CLBT50
100		0,15	CLBT100
500		0,25	CLBT500

COMPLEMENTARY ACCESSORIES

	DESCRIPTION	CODE
	Lower base	BINFCLBT



DIMENSIONS (mm)

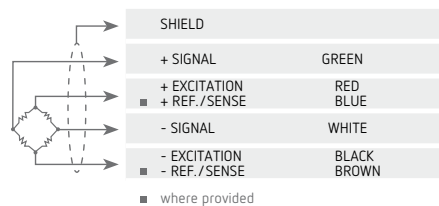


TECHNICAL FEATURES

Material	Aluminium alloy (Avional)	17-4 PH stainless steel	
Nominal load (E max)	50 - 100 kg	500 kg	
Combined error	≤ ±0.05%		
Protection class	IP65		
Rated output	2 mV/V ± 10%	Input resistance	700 Ω ± 20
Temperature effect on zero	0.005% °C	Output resistance	700 Ω ± 5
Temperature effect on span	0.005% °C	Zero balance	± 1%
Compensated temperature range	-10 °C / + 50 °C	Insulation resistance	> 5000 MΩ
Operating temperature range	-20 °C / + 70 °C	Safe overload (% of full scale)	150%
Creep at nominal load in 20 minutes	0.03%	Ultimate overload (% of full scale)	300%
Max supply voltage without damage	5±15 V	Deflection at nominal load	0.3 mm

ELECTRICAL CONNECTIONS

Cable length	5 m
Cable diameter	5 mm
Cores	6 x 0.088 mm ²



The Company reserves the right to make changes to the technical data, drawings and images without notice.

ISO 9001:2008
ISO 14001:2004