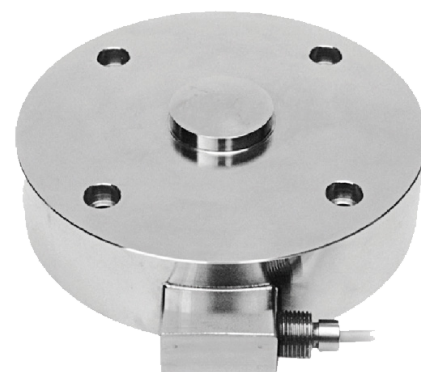




kg **CBLS**
Compression Load Cells - Low Profile



Manufactured according to OIML R60 standards
Capacity from 200000 kg to 750000 kg

FEATURES

- 17-4 PH STAINLESS STEEL
- COMBINED ERROR $\leq \pm 0.10\%$
- PROTECTION CLASS IP68



| CAPACITY | kg | IECEx | Ex | EAC | NET WEIGHT OF LOAD CELL (kg) | CODE |
|----------|----|-------|----|-----|------------------------------|------------|
| 200000 | | • | • | • | 20 | CBLS200000 |
| 300000 | | • | • | • | 42 | CBLS300000 |
| 500000 | | • | • | • | 60 | CBLS500000 |
| 750000 | | • | • | • | 60 | CBLS750000 |

ON REQUEST

CERTIFICATIONS

CERTIFICATIONS ON REQUEST

| | |
|--|---|
| | Calibration report (ACCREDIA LAT traceability) |
| | ATEX II 1GD(zone 0-1-2-20-21-22) |
| | IECEx (zone 0-1-2-20-21-22) |
| | Complies with the Eurasian Custom Union regulations (Russia, Belarus, Kazakhstan) |

OPTIONS ON REQUEST

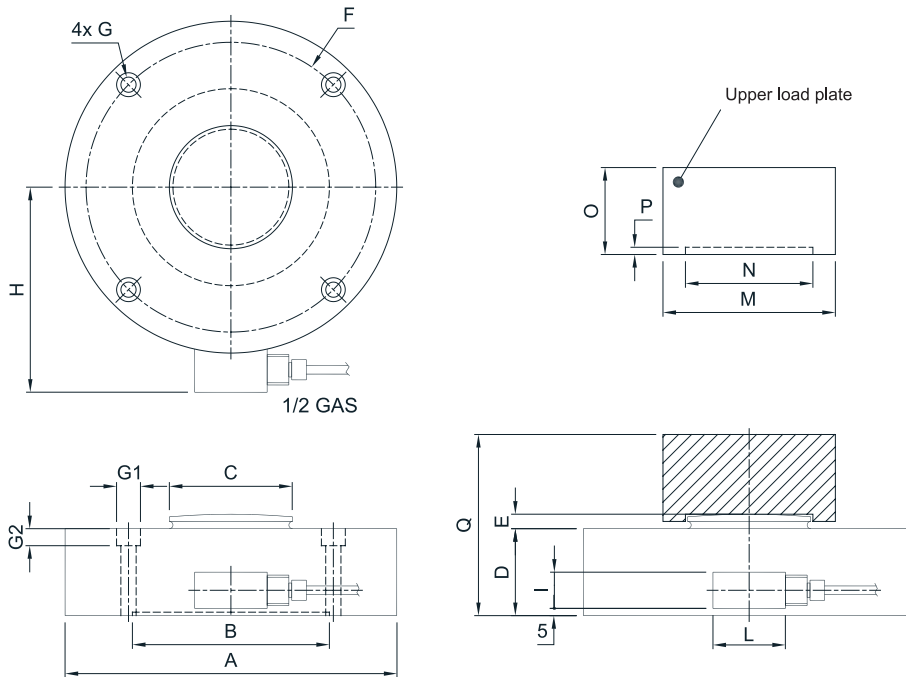
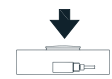
DESCRIPTION

| | |
|--|--|
| | Two redundant strain gauges Wheatstone bridges (350 Ω) with two output cables; for dual safety systems |
|--|--|

COMPLEMENTARY ACCESSORIES

| | DESCRIPTION | CODE |
|--|--------------------------|------------|
| | Upper plate. Dimensions: | |
| | Ø119 mm; h=60 mm | BOTTONE200 |
| | Ø198 mm; h=60 mm | BOTTONE |
| | Maximum static load: | |
| | Ø198 mm; h=89 mm | BOTTONE750 |
| | 200000 kg | |
| | 300000 kg | |
| | 500000 - 750000 kg | |

DIMENSIONS (mm)



| | 200t | 300t | 500-750t |
|--------|--------|-------|----------|
| A | Ø229 | Ø299 | Ø299 |
| B | Ø136.5 | Ø228 | Ø230 |
| C | Ø87 | Ø155 | Ø155 |
| D | 60 | 73 | 106 |
| E | 10 | 12 | 14 |
| F | Ø200 | Ø260 | Ø260 |
| G | Ø10.5 | Ø12.5 | Ø12.5 |
| G1 | Ø16.5 | Ø18.5 | Ø18.5 |
| G2 | 10.5 | 12.5 | 12.5 |
| H | 142±1 | 180±2 | 180±2 |
| I | 30 | 25 | 25 |
| L | 60 | 50 | 50 |
| weight | 20kg | 42kg | 60kg |

| | 200t | 300t | 500-750t |
|---|------|------|----------|
| M | Ø119 | Ø198 | Ø198 |
| N | Ø88 | Ø156 | Ø158 |
| O | 60 | 60 | 89 |
| P | 5 | 5 | 9 |
| Q | 125 | 140 | 200 |

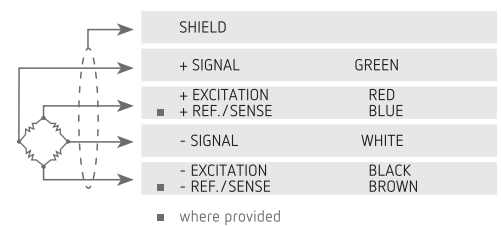
TECHNICAL FEATURES

| | | | |
|---------------------------------------|--------------------------------------|-------------------------------------|------------|
| Material | 17- 4PH stainless steel | | |
| Nominal load (E max) | 200000 - 300000 - 500000 - 750000 kg | | |
| Combined error | ≤ ±0.10% | | |
| Protection class | IP68 | | |
| Rated output | 2 mV/V ± 0.1% | Input resistance | 700 Ω ± 20 |
| Temperature effect on zero | 0.005% °C | Output resistance | 700 Ω ± 5 |
| Temperature effect on span | 0.005% °C | Zero balance | ± 1% |
| Compensated temperature range | -10 °C / + 50 °C | Insulation resistance | > 5000 MΩ |
| Operating temperature range | -20 °C / + 70 °C | Safe overload (% of full scale) | 150% |
| C creep at nominal load in 30 minutes | 0.03% | Ultimate overload (% of full scale) | 300% |
| Max supply voltage without damage | 15 V | Deflection at nominal load | 0.4 mm |

ELECTRICAL CONNECTIONS

| | |
|----------------|---|
| Cable length | 10 m |
| Cable diameter | 5 mm |
| Cores | 4 x 0.25 mm ² / 6 x 0.14 mm ² |

ISO 9001 | ISO 14001



Version 022020